



**Southwire™**

**HANGING  
& SUPPORT**  
CATALOG



**[ BUILT FOR DURABILITY.  
BUILT FOR RELIABILITY.  
BUILT FOR WORK. ]**

# HANGING & SUPPORT

## PRODUCTS FOR EVERY APPLICATION

---

Southwire™ is pleased to offer a comprehensive line of Hanging and Support, including over 300 Spring Steel items, manufactured to our standards of superior quality.

Our assortment offers versatile solutions in a variety of sizes used at the stud level of construction to hang, support or mount anything from wire and cable, conduit to rods, to strut, and steel boxes.

Spring Steel Fasteners & Supports create time savings and efficiency on the job site, empowering electricians to demonstrate skill and quality of work through a display of neatly organized cables and wire.

### **ABOUT SOUTHWIRE™ GEOSEAL™**

The Southwire™ GEOSEAL™ anti-corrosion coating is a high-performance, water-based and chrome-free, zinc and aluminum flake technology that protects our Spring Steel Fasteners & Supports from corrosion. Free of toxic metals such as chromium, nickel, cadmium, lead, barium and mercury, the metallic silver coating is odorless and contractor friendly. The GEOSEAL™ coating is salt spray-tested over hundreds of hours to ensure excellent adhesion as well as damage and chemical resistance

# TABLE OF CONTENTS

## CABLE/CONDUIT

Beam Attachment .....	5-15
Clamps & Clips .....	16-28
Strut Clamps .....	29-35
Rod/Wire Hangers .....	36-44
Combination Box/Conduit Hangers .....	45-48
Pipe Fittings .....	49-60

## STRUCTURAL ATTACHMENTS

Beam/Purlin .....	62-95
Rod/Wire Fasteners .....	96-103
Fasteners/Hardware .....	104-136

## STUD/DRYWALL

Box Support Systems .....	138-148
Cable/Conduit Support .....	149-160
Nail Plates .....	161-163

## DATAKOM/LOW VOLTAGE

Cable Support Systems .....	165-177
Bridle Rings .....	178-184
Clips .....	185-187

## ACOUSTICAL/CEILING

Electrical Support Systems .....	189-198
Fixture Supports .....	199-204

# **CABLE/ CONDUIT**

---

**Secures cable and conduit to  
electrical support systems**

**BEAM ATTACHMENT**

**ROD/WIRE HANGERS**

**STRUT CLAMPS**

**CLAMPS AND CLIPS**

**BRACKETS AND HANGERS**

**COMBINATION BOX/CONDUIT**

**PIPE FITTINGS**

## HANGING & SUPPORT

# BEAM ATTACHMENT





## BEAM ATTACHMENT

# CABLE TO FLANGE CLIP

### APPLICATION

Supports Non-Metallic sheathed cable to flanges.

### FEATURES

Supports 14-2 to 12-2 MC/AC cables

Accommodates flange thickness of 5/16" - 1/2"

Hammer-on installation

### MATERIAL/FINISH

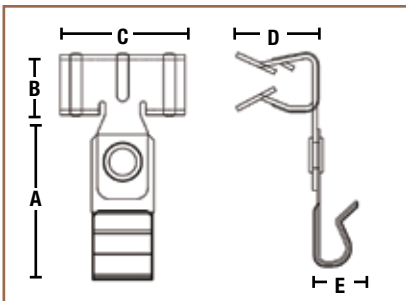
Spring Steel/GEOSEAL™

### CERTIFICATIONS

UL Standard: UL 2239



**RMX58TZ**



PART #	A	B	C	D	E	BOX QTY.
RMX58TZ	1.44"	.606"	1.26"	.866"	.331"	100

# HANGING & SUPPORT

## CABLE CLIPS

### APPLICATION

Cable clips easily snap on to flanges for cable positioning, no load rating listed.

### FEATURES

Easy hammer-on installation  
Supports cables to beams with no additional hardware

### MATERIAL/FINISH

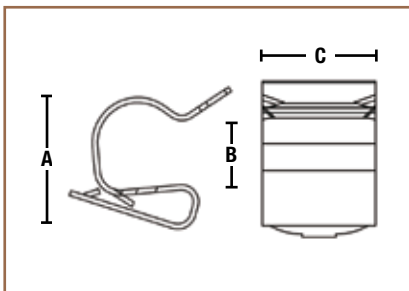
Spring Steel/GEOSEAL™

### CERTIFICATIONS

UL Standard: UL 2239



**SC2DTZ**



PART #	FLANGE THICKNESS	CABLE DIAMETER	A	B	C	BOX QTY.
SC2DTZ	1/16" – 3/16"	.472" – .551"	.744"	.343"	.551"	100
SC2FTZ	1/16" – 3/16"	.748" – .945"	1.02"	.356"	.551"	100
SC4DTZ	3/16" – 9/32"	.472" – .551"	.744"	.343"	.551"	100
SC4ETZ	3/16" – 9/32"	.591" – .709"	.645"	.335"	.551"	100

No load rating, for positioning only



## BEAM ATTACHMENT

# SNAP-CLOSE CONDUIT TO FLANGE CLAMP - BOTTOM MOUNT

### APPLICATION

Conduit flange mount snap-close clamps support EMT and rigid conduit from beams. Equipped with a rotatable joint allows the snap-close conduit clip to rotate 360° to position conduit in different directions.

### FEATURES

- Hammer-on installation
- Snap-close conduit clip pivots 360°
- Secures EMT, rigid and aluminum conduit to beams

### MATERIAL/FINISH

Spring Steel/GEOSEAL™

### CERTIFICATIONS

UL Standard: UL 2239



**812M24TZ**



PART #	FLANGE THICKNESS	STATIC LOAD (LBS.)	EMT/RIGID SIZE	FMC SIZE	MC/AC SIZE	BOX QTY.
6M24TZ	1/8" – 1/4"	75	---	3/8"	14-2 – 12-3	100
812M24TZ	1/8" – 1/4"	75	1/2" & 3/4"	---	---	100
16M24TZ	1/8" – 1/4"	75	1"	---	---	100
20M24TZ	1/8" – 1/4"	75	1-1/4"	---	---	50
BC18KC112	1/8" – 1/4"	75	1-1/2"	---	---	50
32M24TZ	1/8" – 1/4"	75	2"	---	---	50
6M58TZ	5/16" – 1/2"	75	---	3/8"	14-2 – 12-3	100
812M58TZ	5/16" – 1/2"	75	1/2" & 3/4"	---	---	100
BC516KC1	5/16" – 1/2"	75	1	---	---	50
BC516KC114	5/16" – 1/2"	75	1-1/4"	---	---	50
BC516KC112	5/16" – 1/2"	75	1-1/2"	---	---	50
BC516KC2	5/16" – 1/2"	75	2"	---	---	50
6M912TZ	9/16" – 3/4"	75	---	3/8"	14-2 – 12-3	100
812M912TZ	9/16" – 3/4"	75	1/2" & 3/4"	---	---	100
16M912TZ	9/16" – 3/4"	75	1"	---	---	50



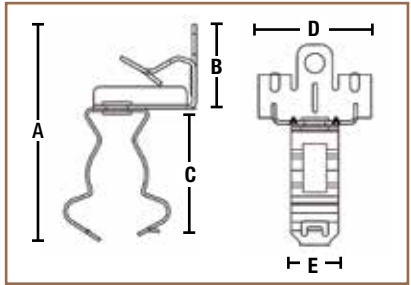
# HANGING & SUPPORT



**812M58TZ**



**812M912TZ**



PART #	A	B	C	D	E
6M24TZ	2.74"	1.06"	1.68"	1.50"	.63"
812M24TZ	3.11"	1.06"	2.05"	1.50"	.63"
16M24TZ	3.58"	1.06"	2.52"	1.50"	.63"
20M24TZ	4.02"	1.06"	2.96"	1.50"	.63"
BC18KC112	4.24"	1.06"	3.18"	1.50"	.63"
32M24TZ	5.51"	1.63"	3.88"	1.50"	.63"
6M58TZ	2.97"	1.29"	1.68"	1.50"	.63"
812M58TZ	3.34"	1.29"	2.05"	1.50"	.63"
BC516KC1	3.58"	1.29"	2.52"	1.50"	.63"
BC516KC114	4.02"	1.29"	2.96"	1.50"	.63"
BC516KC112	4.47"	1.29"	3.18"	1.50"	.63"
BC516KC2	5.51"	1.63"	3.88"	1.50"	.63"
6M912TZ	3.31"	1.63"	1.68"	1.75"	.63"
812M912TZ	3.68"	1.63"	2.05"	1.75"	.63"
16M912TZ	4.15"	1.63"	2.52"	1.75"	.63"



## BEAM ATTACHMENT

# SNAP-CLOSE CONDUIT TO FLANGE CLAMP - SIDE MOUNT

### APPLICATION

Conduit flange mount snap-close clamps support EMT and rigid conduit from beams. Equipped with a rotatable joint allows the snap-close conduit clip to rotate 360° to position conduit in different directions.

### FEATURES

- Hammer-on installation
- Snap-close conduit clip pivots 360°
- Secures EMT, rigid and aluminum conduit to beams

### MATERIAL/FINISH

Spring Steel/GEOSEAL™

### CERTIFICATIONS

UL Standard: UL 2239



812M58SMTZ

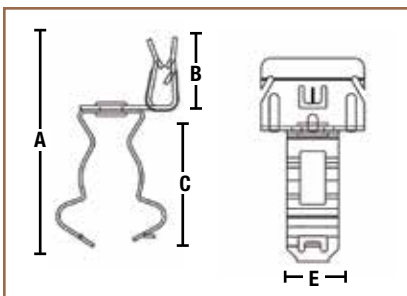


PART #	FLANGE THICKNESS	STATIC LOAD (LBS.)	EMT/RIGID SIZE	FMC SIZE	MC/AC SIZE
6M24SMTZ	1/8" – 1/4"	25	---	3/8"	14-2, 12-3
16M24SMTZ	1/8" – 1/4"	25	1"	---	---
20M24SMTZ	1/8" – 1/4"	25	1-1/4"	---	---
24M24SMTZ	1/8" – 1/4"	25	1-1/2"	---	---
32M24SMTZ	1/8" – 1/4"	25	2"	---	---
812M24SMTZ	1/8" – 1/4"	25	1/2" & 3/4"	---	---
16M58SMTZ	5/16" – 1/2"	25	1"	---	---
20M58SMTZ	5/16" – 1/2"	25	1-1/4"	---	---
24M58SMTZ	5/16" – 1/2"	25	1-1/2"	---	---
32M58SMTZ	5/16" – 1/2"	25	2"	---	---
812M58SMTZ	5/16" – 1/2"	25	1/2" & 3/4"	---	---
6M912SMTZ	9/16" – 3/4"	25	---	3/8"	14-2, 12-3
16M912SMTZ	9/16" – 3/4"	25	1"	---	---
20M912SMTZ	9/16" – 3/4"	25	1-1/4"	---	---
32M912SMTZ	9/16" – 3/4"	25	2"	---	---
812M912SMTZ	9/16" – 3/4"	25	1/2" & 3/4"	---	---

# HANGING & SUPPORT



**24M58SMTZ**



PART #	A	B	C	D	E	BOX QTY.
6M24SMTZ	2.56"	.886"	1.68"	1.26"	.63"	100
16M24SMTZ	3.41"	.886"	2.52"	1.26"	.63"	100
20M24SMTZ	3.85"	.886"	2.96"	1.26"	.63"	100
24M24SMTZ	4.07"	.886"	3.18"	1.26"	.63"	50
32M24SMTZ	4.77"	.886"	3.88"	1.26"	.63"	50
812M24SMTZ	2.94"	.886"	2.05"	1.26"	.63"	100
16M58SMTZ	3.41"	.886"	2.52"	1.26"	.630	100
20M58SMTZ	3.83"	.866"	2.96"	1.26"	.63"	100
24M58SMTZ	4.07"	.886"	3.18"	1.26"	.63"	50
32M58SMTZ	4.77"	.886"	3.88"	1.26"	.63"	50
812M58SMTZ	2.92"	.866"	2.05"	1.26"	.63"	100
6M912SMTZ	2.56"	.886"	1.68"	1.26"	.63"	100
16M912SMTZ	3.39"	.866"	2.52"	1.26"	.63"	100
20M912SMTZ	3.83"	.866"	2.96"	1.26"	.63"	100
32M912SMTZ	4.77"	.886"	3.88"	1.26"	.63"	50
812M912SMTZ	2.92"	.866"	2.05"	1.26"	.63"	100



## BEAM ATTACHMENT

# PUSH-CLOSE CONDUIT TO FLANGE CLIP - BOTTOM MOUNT

### APPLICATION

Conduit flange mount clips support EMT and rigid conduit from beams. Equipped with a rotatable joint, the conduit clip rotates 360° to position conduit in different directions.

### FEATURES

- Hammer-on installation
- Conduit clip pivots 360°
- Secures EMT, rigid and aluminum conduit to beams

### MATERIAL/FINISH

Spring Steel/GEOSEAL™

### CERTIFICATIONS

UL Standard: UL 2239

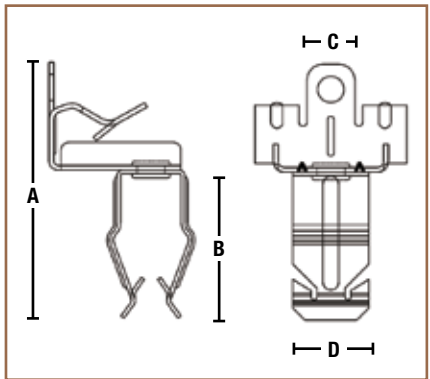


12P58TZ



PART #	FLANGE THICKNESS	EMT SIZE	RIGID SIZE	STATIC LOAD (LBS.)
8P24TZ	1/8" – 1/4"	1/2"	---	25
8P58TZ	5/16" – 1/2"	1/2"	---	25
8P912TZ	9/16" – 3/4"	1/2"	---	25
12P24TZ	1/8" – 1/4"	3/4"	3/4"	25
12P58TZ	5/16" – 1/2"	3/4"	3/4"	25
12P912TZ	9/16" – 3/4"	3/4"	3/4"	25
16P24TZ	1/8" – 1/4"	1"	1"	25
16P58TZ	5/16" – 1/2"	1"	1"	25
16P912TZ	9/16" – 3/4"	1"	1"	25

# HANGING & SUPPORT



PART #	A	B	C	D	BOX QTY.
8P24TZ	2.52"	1.46"	1.50"	.748"	100
8P58TZ	2.75"	1.46"	1.50"	.748"	100
8P912TZ	3.09"	1.46"	1.50"	.748"	50
12P24TZ	2.73"	1.67"	1.50"	.748"	100
12P58TZ	2.96"	1.67"	1.50"	.748"	100
12P912TZ	3.30"	1.67"	1.50"	.748"	100
16P24TZ	3.01"	1.95"	1.50"	.748"	100
16P58TZ	3.24"	1.95"	1.50"	.748"	100
16P912TZ	3.58"	1.95"	1.50"	.748"	100



## BEAM ATTACHMENT

# PUSH-CLOSE CONDUIT TO FLANGE CLIP - SIDE MOUNT

### APPLICATION

Conduit flange mount clips support EMT and rigid conduit from beams. Equipped with a rotatable joint, the conduit clip rotates 360° to position conduit in different directions.

### FEATURES

- Hammer-on installation
- Conduit clip pivots 360°
- Secures EMT, rigid and aluminum conduit to beams

### MATERIAL/FINISH

Spring Steel/GEOSEAL™

### CERTIFICATIONS

UL Standard: UL 2239

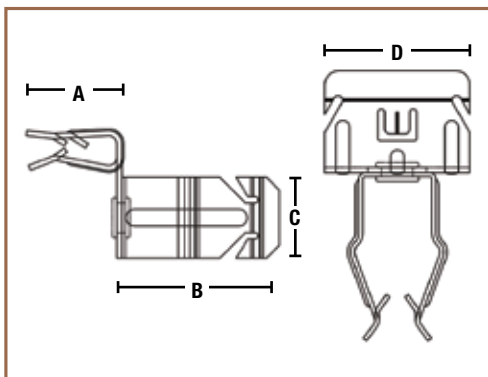


**8P24SMTZ**



PART #	FLANGE THICKNESS	EMT SIZE	RIGID SIZE	STATIC LOAD (LBS.)
8P24SMTZ	1/8" – 1/4"	1/2"	---	15
8P58SMTZ	5/16" – 1/2"	1/2"	---	15
8P912SMTZ	9/16" – 3/4"	1/2"	---	15
12P24SMTZ	1/8" – 1/4"	3/4"	1/2"	15
12P58SMTZ	5/16" – 1/2"	3/4"	1/2"	15
12P912SMTZ	9/16" – 3/4"	3/4"	1/2"	15
16P24SMTZ	1/8" – 1/4"	1"	3/4"	15
16P58SMTZ	5/16" – 1/2"	1"	3/4"	15
16P912SMTZ	9/16" – 3/4"	1"	3/4"	15

# HANGING & SUPPORT



PART #	A	B	C	D	BOX QTY.
8P24SMTZ	.886"	1.46"	.748"	1.26"	100
8P58SMTZ	.866"	1.46"	.748"	1.26"	100
8P912SMTZ	.866"	1.46"	.748"	1.26"	100
12P24SMTZ	.886"	1.67"	.748"	1.26"	100
12P58SMTZ	.866"	1.67"	.748"	1.26"	100
12P912SMTZ	.866"	1.67"	.748"	1.26"	100
16P24SMTZ	.886"	2.37"	.63"	1.26"	100
16P58SMTZ	.866"	2.37"	.63"	1.26"	100
16P912SMTZ	.866"	2.37"	.63"	1.26"	100



Southwire™

# CLAMPS & CLIPS





# HANGING & SUPPORT

## PUSH-IN CONDUIT CLIPS

### APPLICATION

Conduit clips are mounted to structures to support EMT and rigid conduit. Provides a convenient way to align conduit to electrical boxes.

### FEATURES

- Push-in attachment
- Vertical or horizontal mounting
- Combined with other Southwire fasteners to hang conduit to beams, purlins or rods

### MATERIAL/FINISH

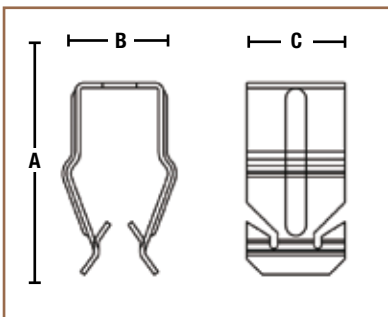
Spring Steel/GEOSEAL™

### CERTIFICATIONS

UL Standard: UL 2239



12PTZ



PART #	EMT SIZE	RIGID SIZE	HOLE SIZE	HOLE TYPE
8PTZ	1/2"	---	9/32"	Plain
12PTZ	3/4"	1/2"	9/32"	Plain
16PTZ	1"	3/4"	9/32"	Plain

PART #	LOAD CAPACITY (LBS.)		A	B	C	BOX QTY.
	VERTICAL	HORIZONTAL				
8PTZ	25	15	1.46"	.67"	.748"	100
12PTZ	25	15	1.67"	.709"	.748"	100
16PTZ	25	15	2.37"	.787"	.63"	100



## CLAMPS AND CLIPS

# PUSH-IN CONDUIT HANGERS BACK-TO-BACK FOR EMT

### APPLICATION

Back-to-back push-in conduit hangers allow the installer to support two conduit of the same or different sizes with the appropriate spacing required by code

### FEATURES

No tools are required for installation

Simply snap in conduit and it is secured by sharp teeth that bite against the pipe's metallic surface

### Material/Finish

Spring Steel/Zinc Plated

### CERTIFICATIONS

cULus listed



**CHB-5075**



PART #	(1) EMT SIZE	(2) EMT SIZE	LOAD CAPACITY (LBS.)	BOX QTY.
8P8PTZ	1/2"	1/2"	25	100
CHB-5075	1/2"	3/4"	25	50
CHB-50100	1/2"	1"	25	50
CHB-75	3/4"	3/4"	25	50
CHB-75100	3/4"	1"	25	50
CHB-100	1"	1"	25	50

## PUSH-IN CONDUIT HANGERS WITH 90° ANGLE BRACKET FOR EMT

### APPLICATION

Push-in conduit hangers are attached to an angle bracket that accommodates multiple mounting methods. Hangers can be used with beam clamps or directly mounted to a variety of wood or metal surfaces when conduit need to be offset from walls.

### FEATURES

Hanger provides a quick means of support for horizontal conduit runs of EMT, Rigid, MC/AC Cable through metal stud openings

### Material/Finish

Spring Steel/Zinc Plated



**CHPA-50**

PART #	EMT SIZE	BOX QTY.
CHPA-50	1/2"	50
CHPA-75	3/4"	50
CHPA-100	1"	50



## CLAMPS AND CLIPS

# SNAP-CLOSE CONDUIT CLAMPS

### APPLICATION

Conduit clamps are mounted to structures to support EMT and rigid conduit. Provides a convenient way to align conduit to electrical boxes.

### FEATURES

Snap close conduit attachment  
Vertical or horizontal mounting

### MATERIAL/FINISH

Spring Steel/GEOSEAL™

### CERTIFICATIONS

UL Standard: UL 2239



**6MTZ**



PART #	HOLE TYPE	HOLE SIZE	FMC SIZE	MC/AC SIZE	EMT RIGID SIZE
6MTZ	PLAIN	9/32"	3/8"	14-2 – 12-3	---
16MTZ	PLAIN	9/32"	---	---	1"
20MTZ	PLAIN	9/32"	---	---	1-1/4"
24MTZ	PLAIN	9/32"	---	---	1-1/2"
32MTZ	PLAIN	9/32"	---	---	2"
812MTZ	PLAIN	9/32"	---	---	1/2" & 3/4"
6M4ITZ	THREADED	1/4"	3/8"	14-2 – 12-3	---
16M4ITZ	THREADED	1/4"	---	---	1"
20M4ITZ	THREADED	1/4"	---	---	1-1/4"
24M4ITZ	THREADED	1/4"	---	---	1-1/2"
32M4ITZ	THREADED	1/4"	---	---	2"
812M4ITZ	THREADED	1/4"	---	---	1/2" & 3/4"

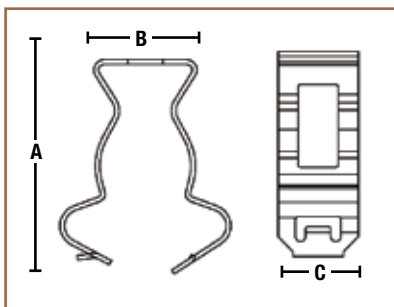
# HANGING & SUPPORT



**16MTZ**



**20MTZ**



PART #	LOAD CAPACITY (LBS.)		A	B	C	BOX QTY.
	VERTICAL	HORIZONTAL				
6MTZ	100	25	1.68"	.807"	.63"	100
16MTZ	100	25	2.52"	.787"	.63"	100
20MTZ	100	25	2.96"	.807"	.63"	100
24MTZ	100	25	3.18"	.807"	.63"	100
32MTZ	100	25	3.88"	.807"	.63"	100
812MTZ	100	25	2.05"	.807"	.63"	100
6M4ITZ	100	25	1.68"	.807"	.630	100
16M4ITZ	100	25	2.52"	.787"	.63"	100
20M4ITZ	100	25	2.96"	.807"	.63"	100
24M4ITZ	100	25	3.18"	.807"	.63"	100
32M4ITZ	100	25	3.88"	.807"	.63"	100
812M4ITZ	100	25	2.05"	.807"	.63"	100



## CLAMPS AND CLIPS

# CONDUIT TO CONDUIT CLAMP

### APPLICATION

Snap-close conduit to conduit clamps support two conduit of different sizes running in parallel or perpendicular paths.

### FEATURES

Conduit quickly set in place and are secured by snapping the fastener closed to secure it in place  
Riveted assembly allows both conduit hangers to rotate to any position required

### MATERIAL/FINISH

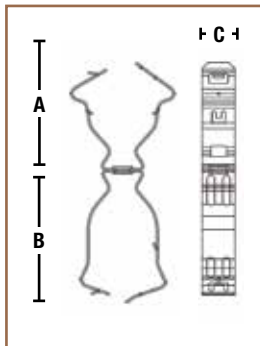
Spring Steel/GEOSEAL™

### CERTIFICATIONS

UL Standard: UL 2239



16812MTZ



PART #	(1) EMT SIZE	(2) EMT SIZE	A	B	C	LOAD CAPACITY (LBS.)	BOX QTY.
16812MTZ	1/2" or 3/4"	1"	1.92"	2.39"	.629"	100	100
KCB-100100	1"	1"	2.29"	2.39"	.629"	100	50
KCB-100125	1"	1-1/4"	2.39"	2.96"	.629"	100	50

Total load must not exceed 100 lbs.

# HANGING & SUPPORT

## THROUGH STUD CABLE/CONDUIT CLAMP

### APPLICATION

Snap-in conduit hangers are attached to an angle bracket that accommodates multiple mounting methods. Hangers can be used with beam clamps or directly mounted to a variety of wood or metal surfaces when conduit need to be offset from walls.

### FEATURES

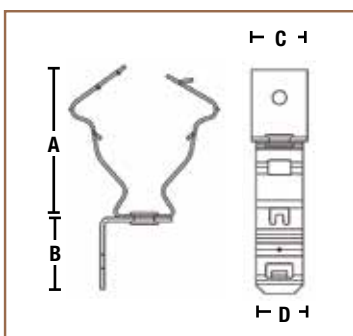
Hanger provides a quick means of support for horizontal conduit runs of EMT, Rigid, MC/AC Cable through metal stud openings  
 Supports 1/2", 3/4" EMT, 3/4" Rigid Reduces conduit rattling  
 Screws to metal or wood studs

### MATERIAL/FINISH

Spring Steel/Black Finish

### CERTIFICATIONS

UL or cULus



PART #	EMT SIZE	A	B	C	D	BOX QTY.
BAKC38*	3/8"	1.68"	.957"	.748"	.63"	100
FB812MTZ**	1/2" or 3/4"	2.05"	.957"	.748"	.63"	100

\*UL | \*\*cULus



## CLAMPS AND CLIPS

# CONDUIT HANGERS WITH BOLT

### APPLICATION

Indoor or outdoor, use to secure and suspend conduit from overhead supports.

### FEATURES

Assembled with nut and bolt  
Use in areas where EMT or rigid conduit are used

### MATERIAL/FINISH

Steel/Zinc Plated

### CERTIFICATIONS

UL Standard: UL2239



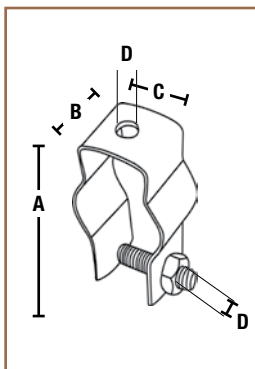
**CD0BTZ**



PART #	RIGID SIZE	EMT SIZE	BOLT SIZE	A	B	C	D	BOX QTY.
CD0BTZ	1/2"	1/2"	1/4"-20	1.875"	.75"	.725"	.25"	100
CD1BTZ	3/4"	3/4"	1/4"-20	2.125"	.75"	.85"	.25"	100
CD2BTZ	1"	1"	1/4"-20	2.437"	.875"	.975"	.25"	100
CD2.5BTZ	-	1-1/4"	1/4"-20	2.875"	.875"	.975"	.25"	100
CD4BTZ	1-1/2"	---	1/4"-20	3.125"	1"	1.125"	.25"	100
CD5BTZ	2"	2"	1/4"-20	3.875"	1"	1.145"	.25"	50
CD6BTZ	2-1/2"	2-1/2"	5/16"-18	4.625"	1.25"	1.225"	.3125"	50
CD7BTZ	3"	3"	5/16"-18	5.50"	1.25"	1.275"	.3125"	25
CD8BTZ	3-1/2"	3-1/2"	5/16"-18	5.75"	1.25"	1.275"	.3125"	25
CD9BTZ	4"	4"	5/16"-18	6.25"	1.25"	1.275"	.3125"	25



# HANGING & SUPPORT



## PULL FORCE (LOAD RATING)

TRADE SIZE	METRIC DESIGNATOR	PULL FORCE (LOAD RATING)					
		(EMT)	(RMC) (IMC)	RIGID PVC CONDUIT			
		PULL FORCE (LBF)	REFERENCE LOAD RATING (LB)	PULL FORCE (LBF)	REFERENCE LOAD RATING (LB)	PULL FORCE (LBF)	REFERENCE LOAD RATING (LB)
1/2"	(16)	150	50	150	50	150	50
3/4"	(21)	150	50	150	50	150	50
1"	(27)	190	60	190	60	160	50
1-1/4"	(35)	225	75	225	75	175	55
1-1/2"	(41)	250	80	250	80	180	60
2"	(53)	300	100	300	100	200	65
2-1/2"	(63)	375	125	375 475	125 160	250	80
3"	(78)	500	160	500 875	165 295	300	100
3-1/2"	(91)	600	200	600 1125	200 375	375	125
4"	(103)	700	230	700	230	450	150



## CLAMPS AND CLIPS

# CONDUIT HANGERS FOR EMT OR RIGID/IMC, SELF THREADING WITH BOLT (NO NUT)

### APPLICATION

Secures EMT or Rigid/IMC conduit to threaded rod, insulated supports, or mounting surface.

### FEATURES

3/8" - 2" self threading (no nut required)

### MATERIAL/FINISH

Steel/Zinc Plated

### CERTIFICATIONS

cULus Listed



**SW0-WBA**



PART #	EMT SIZE	RIGID SIZE	BOX QTY.
SW0-WBA	1/2"	3/8"	100
1-WBA	3/4"	3/4"	100
2-WBA	1"	1"	100
2-1/2-WBA	1-1/4"	---	100
3-WBA	1-1/2"	1-1/4"	100
4-WBA	---	1-1/2"	100
5-WBA	2"	2"	50

# HANGING & SUPPORT

## CONDUIT HANGERS FOR EMT OR RIGID/IMC AND SWING BOLT

### APPLICATION

Secures EMT or Rigid/IMC conduit to threaded rod, insulated supports, or mounting surface.

### FEATURES

Swing in bolt feature saves installation time

### MATERIAL/FINISH

Steel/Zinc Plated



**SNAP ON CONDUIT,  
SWING IN BOLT**



**CHQ-50**

PART #	EMT SIZE	RIGID SIZE	BOX QTY.
CHQ-50	1/2"	3/8"	50
CHQ-75	3/4"	3/4"	25



## CLAMPS AND CLIPS

# CONDUIT HANGERS, WITH BOLT & NUT, STEEL

### APPLICATION

Secures EMT or Rigid/IMC conduit to threaded rod, insulated supports, or mounting surface.

### FEATURES

301, 316 Stainless Steel



**SWO-WBAS**



**CH-50**

PART #	MATERIAL	EMT SIZE	RIGID SIZE	BOX QTY.	
CHSS-50	316 STAINLESS STEEL	1/2"	3/8" or 1/2"	50	
CHSS-75		3/4"	1/2" or 3/4"	25	
CHSS-100		1"	3/4"	25	
CHSS-125		1-1/4"	1"	25	
CHSS-150		1-1/2"	1-1/4"	25	
CHSS-175		1-1/2"	1-1/2"	20	
CHSS-200		2"	---	10	
CHSS-250		2-1/2"	2-1/2"	10	
CHSS-300		3"	3"	10	
CHSS-350		3-1/2"	3-1/2"	10	
CHSS-400		4"	4"	10	
SWO-WBAS		301 STAINLESS STEEL	1/2"	3/8"	100
1-WBAS			3/4"	3/4"	100
2-WBAS	1"		1"	100	
2-1/2-WBAS	1-1/4"		---	100	
3-WBAS	1-1/2"		1-1/4"	100	
4-WBAS	1-1/2"		1-1/2"	100	
5-WBAS	2"		2"	50	
6-WBAS	2-1/2"		2-1/2"	50	
7-WBAS	3"		3"	25	
8-WBAS	3-1/2"		3-1/2"	25	
9-WBAS	4"		4"	25	

**HANGING & SUPPORT**

# **STRUT CLAMPS**





## STRUT CLAMPS

# UNIVERSAL ONE-PIECE STRUT CLAMP

### APPLICATION

Use to support stationary pipe and tubing lines from strut channel.

### FEATURES

For use with EMT/Rigid and IMC conduit  
All screws - 5/16" x 1-1/4" slotted hex head

### MATERIAL/FINISH

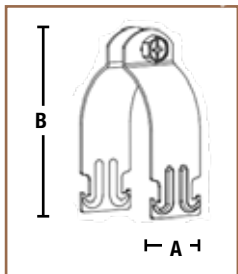
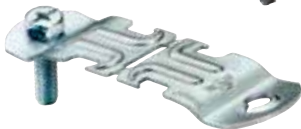
Steel/Zinc Plated

### CERTIFICATIONS

UL Standard: UL 2239  
Fed. Spec: W-F-406E, W-F-406D  
NEMA: FB 1-2014



SK85ITZ



PART #	EMT RIGID SIZE	STATIC LOAD (LBS.)	A	B	BOX QTY.
SK85ITZ	1/2"	200	1.24"	2.30"	100
SK125ITZ	3/4"	200	1.24"	2.46"	100
SK165ITZ	1"	200	1.24"	2.68"	100
SK205ITZ	1-1/4"	200	1.24"	3.21"	100
SK245ITZ	1-1/2"	200	1.24"	3.42"	50
SK325ITZ	2"	200	1.24"	4"	50
SK405ITZ	2-1/2"	350	1.24"	5"	50
SK485ITZ	3"	350	1.24"	5.55"	25
SK565ITZ	3-1/2"	350	1.24"	6"	25
SK645ITZ	4"	350	1.24"	6.50"	25

# HANGING & SUPPORT

## STRUT CLAMP FOR EMT CONDUIT

### APPLICATION

Secures EMT electrical conduit perpendicular to strut.

### FEATURES

Hex/slotted nut, square bolt

### MATERIAL/FINISH

Steel/Electroplated Zinc



**SCE-50**

PART #	EMT SIZE	INNER QTY.	MASTER QTY.
SCE-50	1/2"	---	100
SCE-75	3/4"	---	100
SCE-100	1"	---	100
SCE-125	1-1/4"	---	50
SCE-150	1-1/2"	---	50
SCE-200	2"	1	50



## STRUT CLAMPS

# STRUT CLAMP - FOR RIGID CONDUIT - STEEL OR 316 STAINLESS STEEL

### APPLICATION

Secures Rigid electrical conduit perpendicular to strut.

### FEATURES

Hex/slotted nut, square bolt



**STR50-SS**

PART #	RIGID SIZE	MATERIAL	BOX QTY.	
2101	1/2"	ZINC PLATED STEEL	100	
2102	3/4"		100	
2103	1"		50	
2104	1-1/4"		50	
2105	1-1/2"		50	
2106	2"		50	
2107	2-1/2"		50	
2108	3"		25	
2109	3-1/2"		25	
2110	4"		25	
STR500	5"		25	
STR600	6"		25	
STR50-SS	1/2"		316 STAINLESS STEEL	100
STR75-SS	3/4"			100
STR100-SS	1"	100		
STR125-SS	1-1/4"	100		
STR150-SS	1-1/2"	100		
STR200-SS	2"	100		
STR250-SS	2-1/2"	100		
STR300-SS	3"	100		
STR350-SS	3-1/2"	100		
STR400-SS	4"	100		
STR500-SS	5"	25		
STR600-SS	6"	25		



## STRUT CLAMP, ONE PIECE SOFT SADDLE

### APPLICATION

Secures electrical conduit or cable perpendicular to strut.

### FEATURES

Design has no screws or bolts to drop as you fit it to the strut channel  
Hex/slotted/phillips bolt

### MATERIAL/FINISH

Steel/Galvanized

### CERTIFICATIONS

UL Listed



OPCC-50



LISTED

PART #	RIGID SIZE	BOX QTY.
OPCC-50	1/2"	100
OPCC-75	3/4"	100
OPCC-100	1"	50



## STRUT CLAMPS

# ONE PIECE STRUT CLAMP

### APPLICATION

Secures electrical conduit or cable perpendicular to strut.

### FEATURES

Design has no screws or bolts to drop as you fit it to the strut channel

Hex/slotted/Phillips bolt 1/4" -20 thread

### MATERIAL/FINISH

Steel/Galvanized

### CERTIFICATIONS

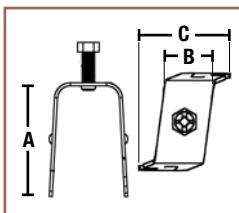
UL Listed

UL Standard: UL 2239



SCH12BTZ

SCH12TZ



PART #	BOOT FEATURE	EMT SIZE	RIGID SIZE	STATIC LOAD	A	B	C	BOX QTY.
SCH8TZ	No Boot	1/2"	---	200	1.87"	.75"	1.34"	100
SCH12TZ	No Boot	3/4"	1/2"	200	2.13"	.75"	1.38"	100
SCH16TZ	No Boot	1"	3/4"	200	2.24"	.75"	1.38"	100
SCH20TZ	No Boot	1-1/4"	1"	200	2.48"	.75"	1.38"	100
SCH6BTZ	Boot	3/8"	---	200	1.55"	.75"	1.22"	100
SCH8BTZ	Boot	1/2"	---	200	1.87"	.75"	1.34"	100
SCH12BTZ	Boot	3/4"	1/2"	200	2.13"	.75"	1.38"	100
SCH16BTZ	Boot	1"	3/4"	200	2.24"	.75"	1.38"	100
SCH20BTZ	Boot	1-1/4"	1"	200	2.48"	.75"	1.18"	100
SCH24BTZ	Boot	1-1/2"	1-1/4"	350	2.78"	.75"	1.2"	50
SCH32BTZ	Boot	2"	1-1/2"	350	3.29"	.75"	1.2"	50
SCH40BTZ	Boot	---	2"	350	3.46"	.75"	.93"	50
SCH48BTZ	Boot	2-1/2"	2-1/2"	350	4"	.75"	.83"	24
SCH56BTZ	Boot	3"	3"	350	4.57"	.75"	.75"	25
SCH64BTZ	Boot	3-1/2"	3-1/2"	350	5.12"	.75"	.75"	10
SCH72BTZ	Boot	4"	4"	350	5.67"	.75"	.75"	10

# HANGING & SUPPORT

## BEAM CLAMP, REVERSIBLE STAMPED STEEL OR 304 STAINLESS STEEL

### APPLICATION

Adjusts to accommodate the field installation finished height.

### FEATURES

Through-hole in beam clamps allows drop rod length adjustment

### MATERIAL/FINISH

Steel/Zinc Plated or 304 Stainless Steel

### CERTIFICATIONS

UL Listed



JFCS-3816SS



PART #	MATERIAL	JAW OPENING	HOLE	BOX QTY.
JFCS-3816	ZINC PLATED STEEL	3/4"	3/8" - 16	25
JFCS-3816SS	304 STAINLESS STEEL	3/4"	3/8" - 16	25



Southwire™

# ROD/WIRE HANGERS



# HANGING & SUPPORT

## CABLE/CONDUIT TO WIRE CLIP

### APPLICATION

Provides support for cable and conduit from drop wire.

### FEATURES

Easy no-tool installation

Attaches directly to drop wire with no additional bending

### MATERIAL/FINISH

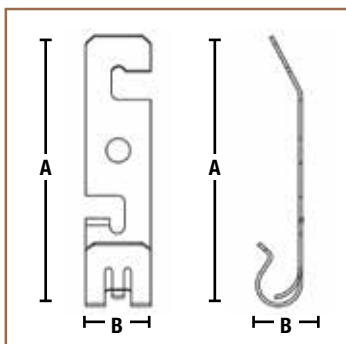
Spring Steel/GEOSEAL™

### CERTIFICATIONS

UL Standard: UL 2239



PCS1TZ



PART #	STATIC LOAD (LBS.)	EMT CONDUIT SIZE	MC/AC CABLE SIZE	WIRE SIZE	HOLE SIZE	A	B	BOX QTY.
PCS1TZ	25	---	14-2 – 10-3	#8 – #12	1/4"	3.11"	.748"	100
PCS2TZ	25	1/2" & 3/4"	10-3 – 6-3	#8 – #12	1/4"	3.52"	1"	100



## ROD/WIRE HANGERS

# CABLE/CONDUIT TO ROD/WIRE CLIP - PUSH-IN

### APPLICATION

Cable/conduit to rod/wire clips easily install to flanges or rods to support conduit, cables and boxes. Equipped with a rotatable joint, the conduit clip rotates 360° to position conduit in different directions.

### FEATURES

- Clip rotates 360° for conduit positioning
- Flange clip provides stability to the conduit clip
- Easy no-tool installation

### MATERIAL/FINISH

Spring Steel/GEOSEAL™

### CERTIFICATIONS

UL Standard: UL 2239

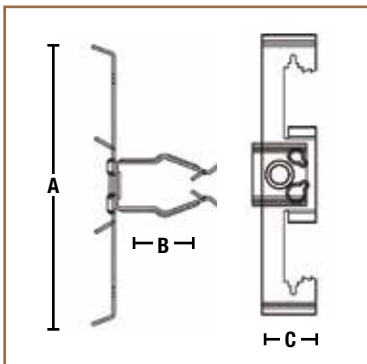
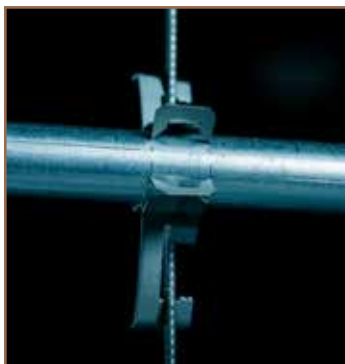


4Z3412PTZ



PART #	FLANGE THICKNESS	EMT SIZE	RIGID SIZE	ROD SIZE	WIRE SIZE
4Z348PTZ	1/8" – 3/8"	1/2"	---	1/4"	#12
4Z3412PTZ	1/8" – 3/8"	3/4"	1/2"	1/4"	#12
4Z3416PTZ	1/8" – 3/8"	1"	3/4"	1/4"	#12
6Z348PTZ	3/8" – 7/16"	1/2"	---	3/8"	---
6Z3412PTZ	3/8" – 7/16"	3/4"	1/2"	3/8"	---
6Z3416PTZ	3/8" – 7/16"	1"	3/4"	3/8"	---

# HANGING & SUPPORT



PART #	A	B	C	BOX QTY.
4Z348PTZ	3.87"	1.57"	.748"	100
4Z3412PTZ	3.87"	1.67"	.748"	100
4Z3416PTZ	3.87"	1.95"	.748"	100
6Z348PTZ	3.62"	1.46"	.748"	100
6Z3412PTZ	3.62"	1.67"	.748"	100
6Z3416PTZ	3.62"	1.95"	.748"	100



## ROD/WIRE HANGERS

# CABLE/CONDUIT TO ROD/WIRE CLAMP SNAP-CLOSE

### APPLICATION

Cable/conduit to rod/wire clamps easily install to flanges or rods to support conduit, cables and boxes. Equipped with a rotatable joint, the conduit clip rotates 360° to position conduit in different directions.

### FEATURES

- Clip rotates 360° for conduit positioning
- Flange clip provides stability to the conduit clamp
- Easy no-tool installation

### MATERIAL/FINISH

Spring Steel/GEOSEAL™

### CERTIFICATIONS

UL Standard: UL 2239



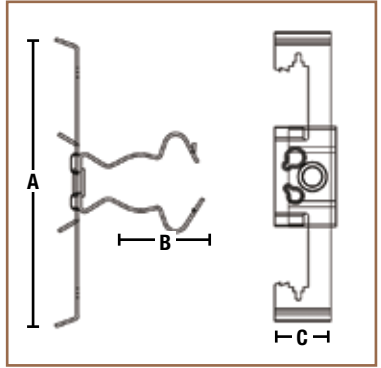
4Z346MTZ



PART #	FLANGE THICKNESS	MC/AC CABLE SIZE	EMT SIZE	RIGID SIZE	ROD SIZE	WIRE SIZE
4Z346MTZ	1/8" – 3/8"	14-2 – 12-3	---	---	1/4"	#12
4Z3416MTZ	1/8" – 3/8"	---	1"	1"	1/4"	#12
4Z34812MTZ	1/8" – 3/8"	---	1/2" & 3/4"	1/2" & 3/4"	1/4"	---
6Z3416MTZ	3/8" – 7/16"	---	1"	1"	3/8"	#12
6Z34812MTZ	3/8" – 7/16"	---	1/2" & 3/4"	1/2" & 3/4"	3/8"	---



# HANGING & SUPPORT



PART #	A	B	C	BOX QTY.
4Z346MTZ	3.87"	1.68"	.748"	100
4Z3416MTZ	3.87"	2.52"	.748"	100
4Z34812MTZ	3.87"	2.05"	.748"	100
6Z3416MTZ	3.62"	2.52"	.748"	100
6Z34812MTZ	3.62"	2.05"	.748"	100



## ROD/WIRE HANGERS

# CABLE/CONDUIT TO ROD/WIRE CLIPS

### APPLICATION

Cable/conduit to rod/wire no-tool installation clips are easily installed to flanges, rods, or wire to support conduit or cables.

### FEATURES

- Supports EMT, rigid, aluminum and NM conduit
- Spring Steel tightening feature keeps conduit and cables stable on rods or wire
- Easy no-tool installation

### MATERIAL/FINISH

Spring Steel/GEOSEAL™

### CERTIFICATIONS

UL Standard: UL 2239



**K8TZ**



PART #	LOAD CAPACITY (LBS.)			A	B	C	BOX QTY.
	VERTICAL WIRE	HORIZONTAL FLANGE	VERTICAL FLANGE				
KXTZ	---	---	---	2.71"	.782	.504"	100
K8TZ	50	100	15	2.90"	.815	.626"	100
K12TZ	50	100	15	4"	.839"	1"	100
K16TZ	50	100	15	4.53"	1.50"	.756"	100
K20TZ	50	100	22	5.59"	1.78"	.756"	100

### CABLE DATA

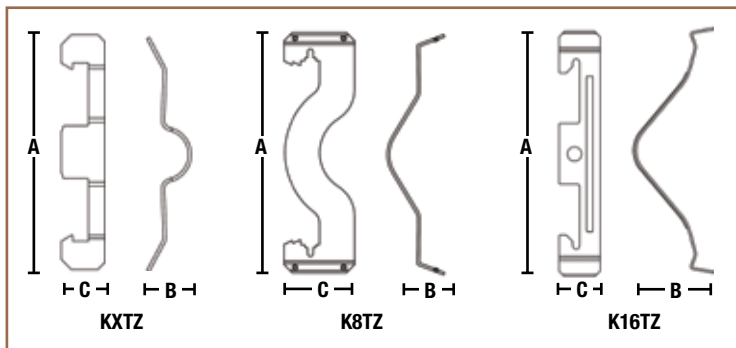
CABLE SIZE	#12 WIRE	#8, #9, #10 WIRE
14-2, 14-3, 12-2	KXTZ	KXTZ
12-3	KXTZ	K8TZ

# HANGING & SUPPORT



K12TZ

K20TZ



KXTZ

K8TZ

K16TZ

## CONDUIT DATA

CONDUIT SIZE	#10, #12 WIRE	#8, #9 WIRE	3/16", 1/4" ROD	1/8" - 1/4" FLANGE	5/16" - 3/8" FLANGE	7/16" - 1/2" FLANGE
1/2" EMT	K8TZ	K8TZ	K8TZ	K8TZ	K12TZ	K12TZ
1/2" Rigid	K8TZ	K12TZ	K12TZ	K12TZ	K12TZ	K16TZ
3/4" EMT	K12TZ	K12TZ	K12TZ	K12TZ	K16TZ	K16TZ
3/4" Rigid	K12TZ	K12TZ	K16TZ	K16TZ	K20TZ	K20TZ
1" EMT	---	K16TZ	K16TZ	K16TZ	K20TZ	K20TZ
1" Rigid	---	---	---	K20TZ	K20TZ	K20TZ
1-1/4" EMT	---	K20TZ	K20TZ	K20TZ	---	---



## ROD/WIRE HANGERS

# CABLE HANGER

### APPLICATION

Provides convenient cable management for MC/AC and data cables when used with other Southwire spring steel fasteners.

### FEATURES

Supports cables from beam, wire and flange clips

### MATERIAL/FINISH

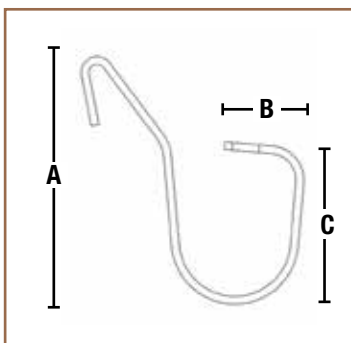
Steel/Galvanized

### CERTIFICATIONS

UL Standard: UL 2239



**WMX6TZ**



PART #	HOOK DIAMETER	STATIC LOAD (LBS.)	A	B	C	BOX QTY.
WMX3TZ	1-1/8"	50	2.94"	1.08"	2.14"	100
WMX6TZ	1-3/4"	75	4.52"	1.34"	3.34"	100

## HANGING & SUPPORT

# COMBINATION BOX/ CONDUIT HANGERS





## COMBINATION BOX/CONDUIT HANGERS

# BOX/CONDUIT HANGER

### APPLICATION

Conduit/box hangers are installed to drop wire, drop rod or other structures to support boxes in the center and conduit on either side.

### FEATURES

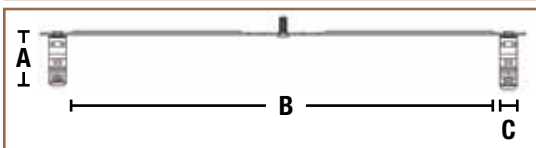
- Snap-close conduit clamps
- Center hole supports other Southwire fasteners attached to other structures

### MATERIAL/FINISH

- Clamps: Spring Steel
- Hangers: Galvanized Steel
- GEOSEAL™

### CERTIFICATIONS

UL Standard: UL 2239



PART #	EMT SIZE	FMC SIZE	MC/AC CABLE SIZE	HOLE SIZE	HOLE TYPE
6MB18ATZ	---	3/8"	14-2 - 12-3	1/4"	Plain
16MB18ATZ	1"	---	---	1/4"	Plain
812MB18ATZ	1/2" & 3/4"	---	---	1/4"	Plain
812MB18STZ	1/2" & 3/4"	---	---	---	---

PART #	SCREW OPTION	SCREW LENGTH	THREAD SIZE	A	B	C	BOX QTY.
6MB18ATZ	No	---	---	1.68"	18.11"	.63"	25
16MB18ATZ	No	---	---	2.52"	18.11"	.63"	25
812MB18ATZ	No	---	---	2.05"	18.11"	.63"	25
812MB18STZ	Yes	9/16"	1/4" - 20	2.05"	18.11"	.63"	25

# HANGING & SUPPORT

## BOX/CONDUIT HANGER FROM ROD/WIRE

### APPLICATION

Supports conduit from wires or rods.

### FEATURES

Supports 1/2", 3/4" EMT

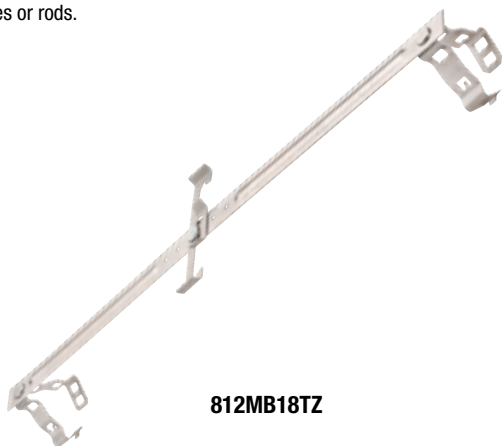
Fits 1/4" Rod, #12 Wire

### MATERIAL/FINISH

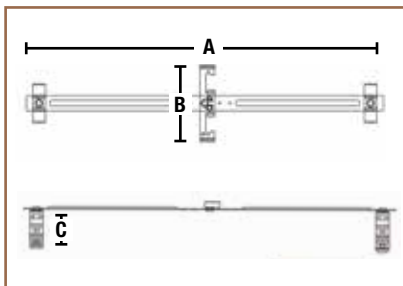
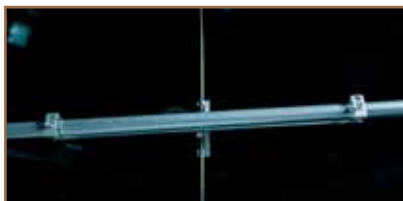
Spring Steel/GEOSEAL™

### CERTIFICATIONS

UL Standard: UL 2239



812MB18TZ



PART #	A	B	C	BOX QTY.
812MB18TZ	18.11"	3.87"	1.92"	25



## COMBINATION BOX/CONDUIT HANGERS

# ADJUSTABLE BAR HANGER

### APPLICATION

Adjustable length box bar hangers can adjust from 16" through 24" and are designed for non-standard stud spacing. These box supports are compatible with 1-1/2" and 2-1/8" deep boxes and are made of galvanized steel allowing for installation of electrical boxes anywhere along the length of the bar. Box supports can accommodate 13 lbs. maximum load, can be used to install electrical boxes between ceiling joists or wall studs, and are suitable for fixtures or luminaires installation.

### FEATURES

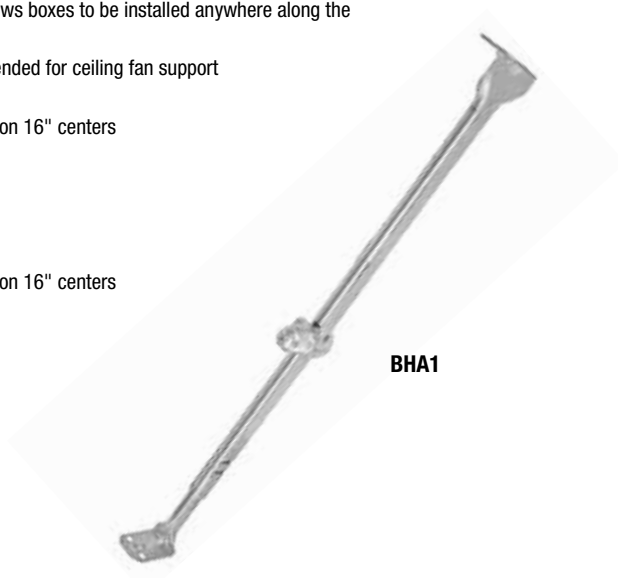
- Box clip installs in 1/2" knockouts, located on the bottom of boxes
- Versatile design allows boxes to be installed anywhere along the length of the bar
- Not designed or intended for ceiling fan support
- Galvanized steel
- UL rated for 13 lbs. on 16" centers

### MATERIAL/FINISH

Steel/Galvanized

### CERTIFICATIONS

UL rated for 13 lbs. on 16" centers



LISTED

PART #	JOIST OR STUD SPAN	BOX MOUNTING METHOD	MAX. RECOMMENDED STATIC FIXTURE SUPPORT (LBS.)	BOX QTY.
BHA1	16" to 24"	BOX LOCK CLIP & THREADED STUD	13	100



**HANGING & SUPPORT**

# **PIPE FITTINGS**





## PIPE FITTINGS

# ONE HOLE RIGID STRAP

### APPLICATION

Indoor or outdoor, use to secure EMT, Rigid or IMC conduit to wood, masonry or wherever greater load bearing is required.

### FEATURES

- Snap-on Rigid strap with one hole
- Greater load bearing capability
- Easy to install

### MATERIAL/FINISH

Steel/Zinc Plated

### CERTIFICATIONS

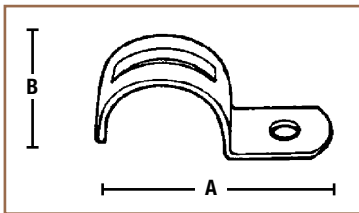
UL Standard: UL 2239

Fed. Spec: W-F-406E, W-F-406D

NEMA: FB 1-2014



531



PART #	RIGID SIZE	A	B	BOX QTY.
531B	3/8"	1.81"	.562"	100
531	1/2"	1.91"	.625"	50
532	3/4"	2.21"	.75"	50
533	1"	2.57"	.875"	25
534	1-1/4"	2.79"	.88"	20
535	1-1/2"	3.69"	.899"	20
536	2"	4.17"	1.14"	10
517TZ	2-1/2"	5"	1.28"	50
518TZ	3"	5.55"	1.28"	25
519	3-1/2"	6.37"	1.28"	25
520	4"	6.87"	1.28"	25

# HANGING & SUPPORT

## ONE HOLE RIGID STRAP 316 STAINLESS STEEL

### APPLICATION

Use to secure Rigid/IMC conduit in surface mount applications.

### FEATURES

Snap-on feature

Inverted rib provides strength to keep cable secure

2-1/2" through 4" suitable for EMT conduit

### MATERIAL/FINISH

316 Stainless Steel

### CERTIFICATIONS

UL Listed



**OHSSR-50**



PART #	RIGID SIZE	BOX QTY.
OHSSR-50	1/2"	100
OHSSR-75	3/4"	100
OHSSR-100	1"	50
OHSSR-125	1-1/4"	50
OHSSR-150	1-1/2"	25
OHSSR-200	2"	25
OHSSR-250	2-1/2"	25
OHSSR-300	3"	10
OHSSR-350	3-1/2"	10
OHSSR-400	4"	10



## PIPE FITTINGS

# ONE HOLE EMT STRAP

### APPLICATION

Indoor or outdoor, use to support EMT conduit to wood, masonry or where greater load bearing is required.

### FEATURES

- Snap-on EMT strap with one hole
- Inverted rib for strength
- Easy no-tool installation

### MATERIAL/FINISH

Steel/Zinc Plated

### CERTIFICATIONS

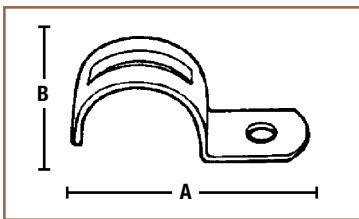
UL Standard: UL 2239

Fed. Spec: W-F-406E, W-F-406D

NEMA: FB 1-2014



511



PART #	EMT SIZE	A	B	BOX QTY.
511	1/2"	1.79"	.57"	100
EPS0075EGTZ	3/4"	1.96"	.62"	50
EPS0100EGTZ	1"	2.25"	.75"	25
EPS0125EGTZ	1-1/4"	2.85"	.88"	20
EPS0150EGTZ	1-1/2"	3.16"	.99"	20
EPS0200EGTZ	2"	3.93"	1.10"	10
517TZ	2-1/2"	5"	1.28"	50
518TZ	3"	5.55"	1.28"	25
519	3-1/2"	6.37"	1.28"	25
523	4"	6.87"	1.28"	25

# HANGING & SUPPORT

## ONE HOLE EMT STRAP 316 STAINLESS STEEL

### APPLICATION

Use to secure EMT conduit in surface mount applications.

### FEATURES

Snap-on feature

Inverted rib provides strength to keep cable secure

### MATERIAL/FINISH

316 Stainless Steel

### CERTIFICATIONS

UL Listed (1/2" through 1")



OHSS-38



PART #	EMT SIZE	BOX QTY.
OHSS-38	3/8"	100
OHSS-50	1/2"	50
OHSS-75	3/4"	50
OHSS-100	1"	25
OHSS-125	1-1/4"	25
OHSS-150	1-1/2"	25
OHSS-200	2"	25
OHSS-250	2-1/2"	10
OHSS-300	3"	10
OHSS-350	3-1/2"	10
OHSS-400	4"	10



## PIPE FITTINGS

# ONE HOLE STRAP FOR RIGID/IMC CONDUIT

### APPLICATION

Use to secure Rigid/IMC conduit in surface mount applications.

### FEATURES

Heavy-duty casting

### MATERIAL/FINISH

Malleable Iron/Zinc Plated

### CERTIFICATIONS

cULus Listed



**OHSR-38M**



PART #	RIGID SIZE	INNER QTY.	MASTER QTY.
OHSR-38M	3/8"	---	50
561	1/2"	25	250
562	3/4"	25	250
563	1"	25	125
564	1-1/4"	20	100
565	1-1/2"	10	100
566	2"	10	50
567	2-1/2"	5	25
568TZ	3"	---	5
569	3-1/2"	---	5
570	4"	---	5
570A	5"	---	2
570B	6"	---	2

# HANGING & SUPPORT

## ONE HOLE RIGID CLAMP BACK SPACER

### APPLICATION

Use to provide space between conduit and mounting surface.

### FEATURES

For use with malleable or aluminum straps

### MATERIAL/FINISH

Malleable Iron/Zinc Plated

### CERTIFICATIONS

cULus Listed



481



PART #	RIGID SIZE	INNER QTY.	MASTER QTY.
481	1/2"	25	250
482	3/4"	25	250
483	1"	25	125
484	1-1/4"	20	100
485	1-1/2"	10	100
486	2"	10	50
487	2-1/2"	5	25
488	3"	N/A	10
489	3-1/2"	N/A	10
489A	4"	N/A	10
489B	5"	N/A	2
489C	6"	N/A	2



## PIPE FITTINGS

# ONE HOLE SE/SEU STRAP

### APPLICATION

Use to secure SE & SEU service entrance cable in surface mount applications.

### FEATURES

Wide wire range  
Stamped aluminum

### MATERIAL/FINISH

Aluminum



232A

PART #	WIRE SIZES	INNER QTY.	MASTER QTY.
361	3 #8, #6, OR #4 OVAL CABLE	100	1000
232A	3 #3 OR #2	100	1000
282A	3 #1/0 OR #2/0	25	250
284A	3 #3/0 OR #4/0	20	100

# ONE HOLE NM STRAP

### APPLICATION

Use to secure Romex® Brand nonmetallic sheathed cable in surface mount applications.

### FEATURES

Inverted rib provides strength to keep cable secure

### MATERIAL/FINISH

Steel/Zinc plated



510RX

PART #	WIRE SIZES	INNER QTY.	MASTER QTY.
510RX	14, 12, 10 IN 2 OR 3 CONDUCTOR, WITH OR WITHOUT GROUND. ALSO 14 IN UF	100	1000



# HANGING & SUPPORT

## TWO HOLE EMT STRAP ZINC PLATED STEEL

### APPLICATION

Use to secure EMT conduit in surface mount applications.

### FEATURES

Snap-on EMT strap with two holes

Inverted rib provides strength to keep cable secure

Easy to install

### MATERIAL/FINISH

Steel/Zinc Plated



PART #	EMT SIZE	BOX QTY.
THS-25	1/4"	50
THS-38	3/8"	50
521TZ	1/2"	500
522	3/4"	500
523	1"	250
524	1-1/4"	50
525	1-1/2"	50
526	2"	50
527	2-1/2"	50
528TZ	3"	25
529TZ	3-1/2"	25
530TZ	4"	20



## PIPE FITTINGS

# TWO HOLE EMT STRAP 316 STAINLESS STEEL

### APPLICATION

Use to secure EMT conduit in surface mount applications.

### FEATURES

Snap-on EMT strap with two holes

Inverted rib provides strength to keep cable secure

Easy to install

### MATERIAL/FINISH

316 Stainless steel



**THSS-38**

PART #	EMT SIZE	BOX QTY.
THSS-38	3/8"	50
THSS-50	1/2"	50
THSS-75	3/4"	50
THSS-100	1"	25
THSS-125	1-1/4"	25
THSS-150	1-1/2"	25
THSS-200	2"	25
THSS-250	2-1/2"	25
THSS-300	3"	10
THSS-350	3-1/2"	10
THSS-400	4"	10

# HANGING & SUPPORT

## TWO HOLE RIGID STRAP

### APPLICATION

Indoor or outdoor, use to secure EMT, Rigid or IMC conduit to wood, masonry or where greater load bearing is required.

### FEATURES

Inverted rib provides strength to keep cable secure  
Snap-on Rigid strap with two holes



THSSR-50

### CERTIFICATIONS

cULus Listed (except 123)

UL Listed (for THSSR\*)



PART #	MATERIAL	RIGID SIZE	INNER QTY	BOX QTY.	
123	ZINC PLATED STEEL	3/8"	100	500	
124		1/2"	100	500	
125		3/4"	50	250	
126		1"	25	125	
127	GALVANIZED STEEL	1-1/4"	---	50	
128		1-1/2"	---	50	
129		2"	---	50	
527		2-1/2"	---	50	
528TZ		3"	---	25	
529TZ		3-1/2"	---	25	
530TZ		4"	---	20	
THSSR-50		316 STAINLESS STEEL	1/2"	---	50
THSSR-75			3/4"	---	50
THSSR-100			1"	---	25
THSSR-125	1-1/4"		---	25	
THSSR-150	1-1/2"		---	25	
THSSR-200	2"		---	25	
THSSR-250	2-1/2"		---	25	
THSSR-300	3"		---	10	
THSSR-350	3-1/2"		---	10	
THSSR-400	4"		---	10	



## PIPE FITTINGS

# TWO HOLE SE/SEU STRAP

### APPLICATION

Use to secure SE & SEU service entrance cable in surface mount applications.

### FEATURES

Inverted rib provides strength to keep cable secure

Snap-on Rigid strap with two holes



### MATERIAL/FINISH

Steel/Galvanized

PART #	FOR WIRE SIZES	INNER QTY.	MASTER QTY.
506	3 #8 or #6	100	500
507	3 # 4 or #3	100	500
508	#1/0 or #2/0	25	250
509	#4/0	20	100

# **STRUCTURAL ATTACHMENTS**

---

**Solutions to attach and support  
electrical networks from building  
structures**

**BEAM/PURLIN**

**ROD/WIRE FASTENERS**

**FASTENERS/HARDWARE**



Southwire™

# BEAM/PURLIN



# HANGING & SUPPORT

## HAMMER-ON FLANGE CLIP

### APPLICATION

Provides an attachment solution to beam flanges for wire, hooks, and chains.

### FEATURES

Hammer-on installation  
Provides 1/4" hanger hole  
Side mount

### MATERIAL/FINISH

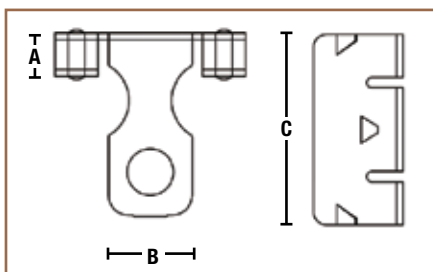
Spring Steel/GEOSEAL™

### CERTIFICATIONS

UL Standard: UL 2239



2H4TZ



PART #	FLANGE SIZE	STATIC LOAD (LBS.)	A	B	C	BOX QTY.
2H4TZ	3/32" – 9/64"	160	.26"	.496"	1.13"	100
4H24TZ	1/8" – 1/4"	200	.37"	.512"	1.26"	100
4H58TZ	5/16" – 1/2"	200	.606"	.512"	1.26"	100
4H912TZ	9/16" – 3/4"	200	.866"	.512"	1.26"	100



## BEAM/PURLIN

# FLANGE MOUNT THREADED ROD SUPPORT

### APPLICATION

Supports threaded rods from beams with flange clip.

### FEATURES

Rotatable joint ensures rod maintains a vertical position

Hammer-on installation

### MATERIAL/FINISH

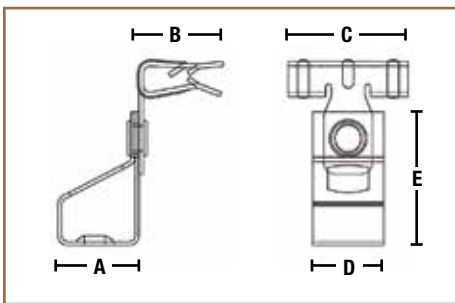
Spring Steel/GEOSEAL™

### CERTIFICATIONS

UL Standard: UL 2239



4Ti58TZ



PART #	FLANGE THICKNESS	STATIC LOAD (LBS.)	A	B	C	D	E	BOX QTY.
4Ti24TZ	1/8" – 1/4"	200	.85"	.866"	1.26"	.748"	1.48"	100
4Ti58TZ	5/16" – 1/2"	200	.85"	.866"	1.26"	.748"	1.48"	100
4Ti912TZ	9/16" – 3/4"	200	.85"	.866"	1.26"	.748"	1.48"	100



# HANGING & SUPPORT

## DECK ROD HANGER

### APPLICATION

Attaches to deck tab to support threaded rods.

### FEATURES

Supports 3/8" threaded rods

### MATERIAL/FINISH

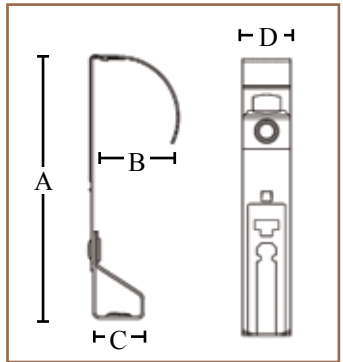
Spring Steel/GEOSEAL™

### CERTIFICATIONS

UL Standard 2239



DH6TITZ



PART #	STATIC LOAD (LBS.)	A	B	C	D	BOX QTY.
DH6TITZ	160	4.90"	1.49"	.85"	.748"	100



## BEAM/PURLIN

# FLANGE MOUNT PLAIN ROD SUPPORT

### APPLICATION

Supports plain rods from beams with flange clip.

### FEATURES

Rotatable joint ensures rod maintains a vertical position

Hammer-on installation

### MATERIAL/FINISH

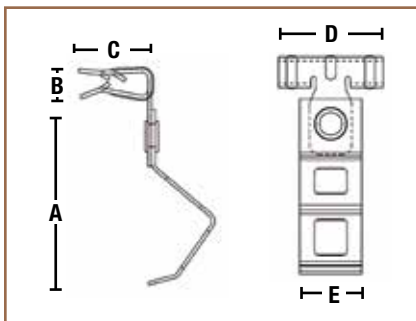
Spring Steel/GEOSEAL™

### CERTIFICATIONS

UL Standard 2239



6A24TZ



PART #	FLANGE SIZE	STATIC LOAD (LBS.)	A	B	C	D	E	BOX QTY.
6A24TZ	1/8" – 1/4"	200	2.12"	.157"	.886"	1.26"	.748"	100
6A912TZ	9/16" – 3/4"	200	2.12"	.568"	.886"	1.26"	.748"	100

# HANGING & SUPPORT

## "Z" PURLIN ROD CLAMP

### APPLICATION

Conforms to the angle of purlin to suspend plain or threaded rods.

### FEATURES

Designed to fit angle purlin flanges  
Rotatable joint ensures rod position maintains a vertical direction  
Hammer-on installation

### MATERIAL/FINISH

Spring Steel/GEOSEAL™

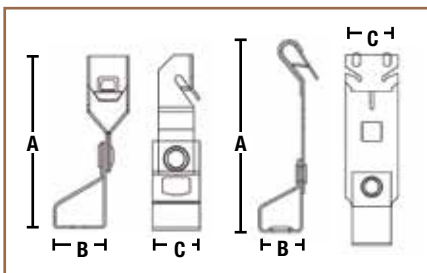
### CERTIFICATIONS

UL Standard: 2239



1224TITZ

AF146TITZ



PART #	FLANGE SIZE	MOUNTING OPTION	ROD SIZE	HOLE TYPE	A	B	C	BOX QTY.
1224TITZ	3/32" max	SIDE	1/4"	THREADED	3.28"	.85"	.748"	100
1226TITZ	3/32" max	SIDE	3/8"	THREADED	3.28"	.85"	.748"	100
AF144TITZ	1/16" - 1/4"	FRONT	1/4"	THREADED	4.30"	.827"	1"	100
AF146TTZ	1/16" - 1/4"	FRONT	3/8"	PLAIN	4.30"	.827"	1"	100
AF146TITZ	1/16" - 1/4"	FRONT	3/8"	THREADED	4.30"	.827"	1"	100



## BEAM/PURLIN

# "Z" PURLIN CLIP

### APPLICATION

Conforms to the angle of purlin to support wire, chains, and hooks.

### FEATURES

- 1/4" support hole
- Hammer-on installation
- Side mount
- 3/32" max flange thickness

### MATERIAL/FINISH

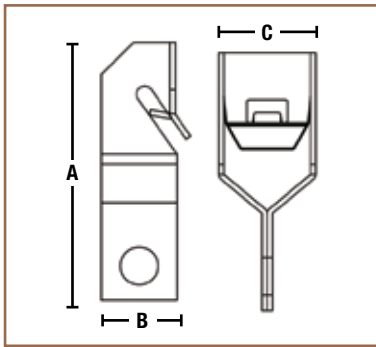
Spring Steel/GEOSEAL™

### CERTIFICATIONS

UL Standard: 2239



122TZ



PART #	A	B	C	BOX QTY.
122TZ	1.88"	.551"	.709"	100

# HANGING & SUPPORT

## ANGLED PURLIN STRAP HANGER

### APPLICATION

Conforms to the angle of purlin to support pipe, ducts, and other attachments with straps.

### FEATURES

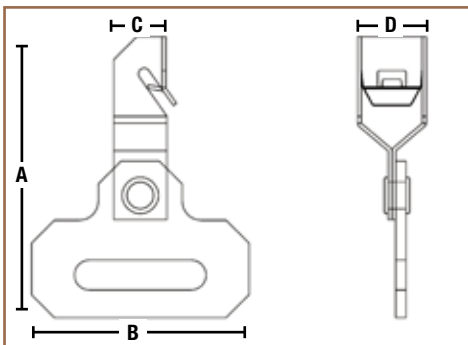
- Hammer-on installation
- 3/32" max flange thickness
- 1-1/4" max strap width

### MATERIAL/FINISH

- Spring Steel/GEOSEAL™
- Steel/Galvanized

### CERTIFICATIONS

UL Standard: UL 2239



PART #	STRAP DIRECTION TO BEAM	STATIC LOAD (LBS.)	A	B	C	D	BOX QTY.
MSS122TZ	Parallel	100	2.49"	2.24"	.539"	.708"	50
MSR122TZ	Rt. Angle	100	3.19"	2.24"	.709"	.709"	50



## BEAM/PURLIN

# CONDUIT TO PURLIN CLAMP

### APPLICATION

Supports EMT and Rigid conduit from angled purlins.

### FEATURES

- Hammer-on installation
- Snap-close conduit clamp pivots 360° for easy positioning
- Supports 1/2" and 3/4" EMT
- 3/32" max flange

### MATERIAL/FINISH

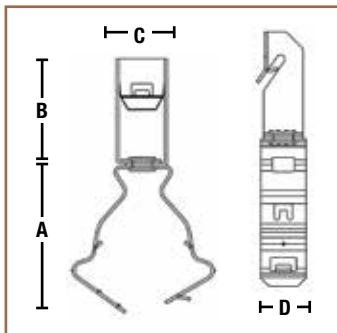
Spring Steel/GEOSEAL™

### CERTIFICATIONS

UL Standard: UL 2239



123812MTZ



PART #	A	B	C	D	BOX QTY.
123812MTZ	2.05"	1.49"	.709"	.630"	100

# HANGING & SUPPORT

## CONDUIT TO BEAM CLIPS BOTTOM MOUNT

### APPLICATION

Push-in conduit hanger/beam clip assemblies are used when EMT or Rigid conduit must be supported below a structural beam.

### FEATURES

Riveted conduit hanger rotates 360° to accommodate various directions of conduit

Light-duty beam clamp provides a 25 lbs. static load capacity

Additional 10-24 and 1/4"-20 mounting holes on beam clamp

### MATERIAL/FINISH

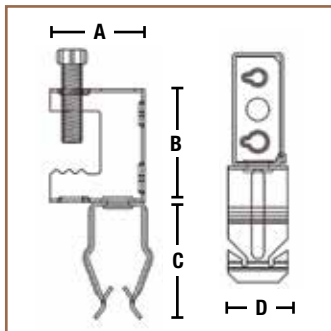
Spring Steel/GEOSEAL™

### CERTIFICATIONS

UL Standard: UL 2239



BC12PTZ



PART #	EMT SIZE	FLANGE SIZE	THREAD HOLE SIZE	LOAD CAPACITY (LBS.)
BC8PTZ	1/2"	1/2"	10-24 & 1/4"-20	100
BC12PTZ	3/4"	1/2"	10-24 & 1/4"-20	100
CHBC-100-TM	1"	1/2"	10-24 & 1/4"-20	100

PART #	A	B	C	D	BOX QTY.
BC8PTZ	1.18"	1.42"	1.46"	.748"	100
BC12PTZ	1.18"	1.42"	1.67"	.748"	100
CHBC-100-TM	1.18"	1.42"	2.37"	.748"	50



BEAM/PURLIN

# CONDUIT TO BEAM CLIPS SIDE MOUNT

## APPLICATION

Push-in conduit hanger/beam clip assemblies are used when EMT or Rigid conduit must be attached below a structural beam.

## FEATURES

Riveted conduit hanger rotates 360° to accommodate various directions of conduit, perpendicular to beam edge  
Light-duty beam clamp provides a 25 lbs. static load capacity  
Additional 10-24 and 1/4"-20 mounting holes on beam clamp



CHP-50-SM



PART #	EMT	FLANGE SIZE	BOX QTY.
CHP-50-SM	1/2"	1/2"	50
CHP-75-SM	3/4"	1/2"	50
CHP-100-SM	1"	1/2"	50



# HANGING & SUPPORT

## CONDUIT BEAM CLAMP BOTTOM MOUNT

### APPLICATION

Snap-close conduit hanger/beam clamp assemblies are used when EMT or Rigid conduits must be supported below a structural beam.

### FEATURES

Snap-close clip to secure conduit  
1/2" max flange size

### MATERIAL/FINISH

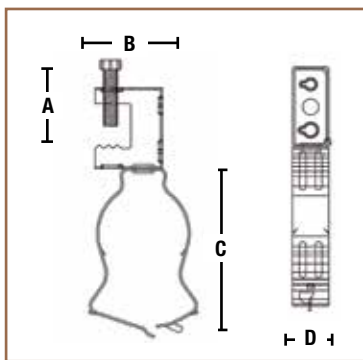
Spring Steel/GEOSEAL™

### CERTIFICATIONS

UL Standard: UL 2239



BC16MTZ



PART #	CONDUIT SIZE	STATIC LOAD (LBS.)	A	B	C	D	BOX QTY.
BC812MTZ	1/2" or 3/4"	100	1.42"	1.18"	2.05"	.63"	100
BC16MTZ	1"	100	1.42"	1.18"	2.52"	.63"	100
BC20MTZ	1-1/4"	100	1.42"	1.18"	2.96"	.63"	100
BC24MTZ	1-1/2"	100	1.42"	1.18"	3.18"	.63"	50
BC32MTZ	2"	100	1.42"	1.18"	3.88"	.63"	50



## BEAM/PURLIN

# CONDUIT BEAM CLAMP SIDE MOUNT

### APPLICATION

Snap-close conduit hanger/beam clamp assemblies are used when EMT or Rigid conduits must be supported to a structural beam.

### FEATURES

Snap-close clip to secure conduit  
1/2" max flange size

### MATERIAL/FINISH

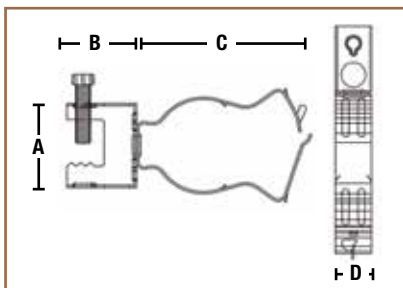
Spring Steel/GEOSEAL™

### CERTIFICATIONS

UL Standard: UL 2239



**BC16MSMTZ**



PART #	CONDUIT SIZE	STATIC LOAD (LBS.)	A	B	C	D	BOX QTY.
BC812MSMTZ	1/2" or 3/4"	25	1.42"	1.18"	2.05"	.63"	100
BC16MSMTZ	1"	25	1.42"	1.18"	2.52"	.63"	100
BC20MSMTZ	1-1/4"	25	1.42"	1.18"	2.96"	.63"	100
BC24MSMTZ	1-1/2"	25	1.42"	1.18"	3.18"	.63"	50
BC32MSMTZ	2"	25	1.42"	1.18"	3.88"	.63"	50

# HANGING & SUPPORT

## FLANGE CLIP WITH STUD

### APPLICATION

Attaches to beam flanges to support rods or straps. Threaded stud feature provides support for outlet boxes.

### FEATURES

- Hammer-on installation
- 1/4"-20 Threaded stud; 3/8" length
- Accommodates 1/4" size rod
- Bottom mount

### MATERIAL/FINISH

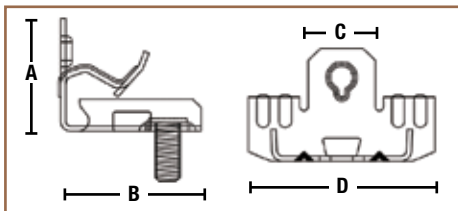
Spring Steel/GEOSEAL™

### CERTIFICATIONS

UL Standard: UL 2239



M912STZ



PART #	FLANGE THICKNESS	LOAD CAPACITY (LBS.)		
		VERTICAL ROD	HORIZONTAL ROD	VERTICAL STRAP
M24STZ	1/8" – 1/2"	100	25	75
M58STZ	5/16" – 1/2"	100	25	75
M912STZ	9/16" – 3/4"	100	25	75

PART #	A	B	C	D	BOX QTY.
M24STZ	1.06"	1.32"	.630"	1.75"	100
M58STZ	1.34"	1.36"	.630"	1.75"	100
M912STZ	1.63"	1.46"	.630"	1.75"	100



## BEAM/PURLIN

# THREADED ROD FLANGE CLIP SUPPORT

### APPLICATION

Attaches to beam flanges to support rods, boxes, fixtures, or other necessary attachments.

### FEATURES

- Hammer-on installation
- Accommodates 1/4" rod size
- Bottom mount

### MATERIAL/FINISH

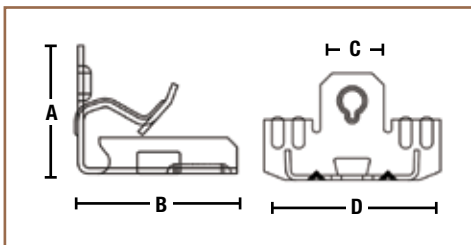
Spring Steel/GEOSEAL™

### CERTIFICATIONS

UL Standard: UL 2239



**M912TZ**



PART #	FLANGE THICKNESS	LOAD CAPACITY (LBS.)		
		VERTICAL ROD	HORIZONTAL ROD	VERTICAL STRAP
M24TZ	1/8" – 1/4"	100	25	75
M58TZ	5/16" – 1/2"	100	25	75
M912TZ	9/16" – 3/4"	100	25	75

PART #	A	B	C	D	BOX QTY.
M24TZ	1.06"	1.32"	.63"	1.75"	100
M58TZ	1.34"	1.36"	.63"	1.75"	100
M912TZ	1.63"	1.46"	.63"	1.75"	100

# HANGING & SUPPORT

## STRAP HANGER FLANGE CLIP

### APPLICATION

Attaches to beam flange to support pipes, ducts, or other attachments with straps.

### FEATURES

Hammer-on installation  
Strap width 1-1/4" max

### MATERIAL/FINISH

Spring Steel/GEOSEAL™

### CERTIFICATIONS

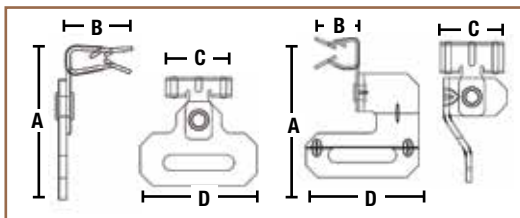
UL Standard: UL 2239



MSS912TZ



MSR58TZ



PART #	FLANGE SIZE	STRAP DIRECTION TO BEAM	STATIC LOAD (LBS.)
MSS24TZ	1/8" – 1/4"	Parallel	200
MSS58TZ	5/16" – 1/2"	Parallel	200
MSS912TZ	9/16" – 3/4"	Parallel	200
MSR58TZ	5/16" – 1/2"	Rt. Angle	200

PART #	A	B	C	D	BOX QTY.
MSS24TZ	2.19"	.886"	1.60"	2.24"	50
MSS58TZ	2.46"	.886"	1.60"	2.24"	50
MSS912TZ	2.70"	.886"	1.60"	2.24"	50
MSR58TZ	2.77"	.866"	1.26"	2.24"	50



## BEAM/PURLIN

# VERTICAL ANGLED FLANGE HANGER

### APPLICATION

Used to support wire, chains, and S-hooks from vertical purlins.

### FEATURES

Fits purlin and bar joists with 1/16" to 1/4" flange

Hammer-on installation

### MATERIAL/FINISH

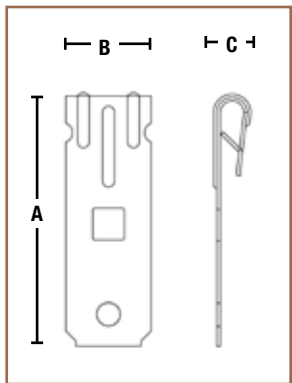
Spring Steel/GEOSEAL™

### CERTIFICATIONS

UL Standard: UL 2239



**VF14TZ**



PART #	A	B	C	BOX QTY.
VF14TZ	2.94"	1"	.354"	100

# HANGING & SUPPORT

## ANGLE FLANGE HANGER

### APPLICATION

Designed to hang from angle purlin to provide support for wires, chains, and hooks.

### FEATURES

Supports flanges from 1/16" to 1/4"

1/4" support hole

Hammer-on installation

### MATERIAL/FINISH

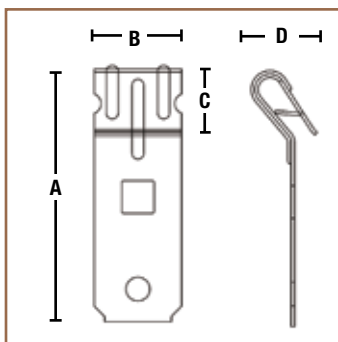
Spring Steel/GEOSEAL™

### CERTIFICATIONS

UL Standard: 2239



AF14TZ



PART #	STATIC LOAD (LBS.)	A	B	C	D	BOX QTY.
AF14TZ	100	2.91"	1"	.701"	.486"	100



**BEAM/PURLIN**

# 6-1/4" WIDE MOUTH BEAM CLAMP LIGHT-DUTY

**APPLICATION**

Light duty beam clamp supports loads from structural beams.

**FEATURES**

1/4"-20 thread impressions  
Stamped steel

**MATERIAL/FINISH**

Steel



BC-1420-X



PART #	JAW	HOLE THREAD	BOX QTY.
BC-1420-XWM	6-1/4"	1/4"-20	20



# HANGING & SUPPORT

## BEAM CLAMP - SPRING STEEL

### APPLICATION

Clamps to flanges to support a variety of attachments from beams.

### FEATURES

Supports flanges up to 1/2"

Holes in the back and bottom supports #10-24 and 1/2" - 20 threaded bridle rings

### MATERIAL/FINISH

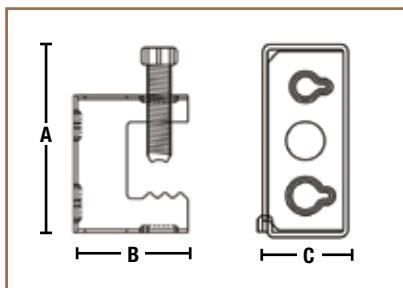
Spring Steel/GEOSEAL™

### CERTIFICATIONS

UL Standard: UL 2239



**BCTZ**



PART #	STATIC LOAD (LBS.)	A	B	C	BOX QTY.
BCTZ	100	1.42"	1.18"	.63"	100



## BEAM/PURLIN

# BEAM CLAMP

### APPLICATION

Light duty beam clamp supports loads from structural beams.

### FEATURES

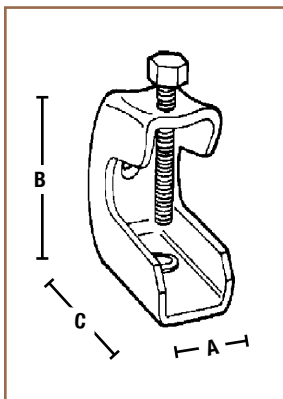
Side and bottom tapped holes

### CERTIFICATIONS

\* UL listed or cULus Listed



BC-1024



PART #	MATERIAL	ROD SIZE	JAW OPENING	A	B	C	BOX QTY.
BC-1024*	ZINC PLATED STEEL	10 – 24	.59"	.92"	1.40"	1.63"	100
BC200TZ**		1/4" – 20	.59"	.92"	1.40"	1.63"	100
BC400TZ**		3/8" – 16	.94"	1.21"	2.062"	2.25"	50
BC-1420-SS*	316 STAINLESS STEEL	1/4" – 20	.59"	.92"	1.40"	1.63"	100
BC-3816-SS*		3/8" – 16	.94"	1.21"	2.062"	2.25"	25

\* UL listed | \*\* cULus listed

# HANGING & SUPPORT

## CONDUIT HANGER WITH STEEL BEAM CLAMP ASSEMBLY

### APPLICATION

Conduit hanger/beam clamp assemblies are used when EMT or Rigid conduit must be supported below a structural beam.

### FEATURES

Riveted conduit hanger rotates 360 degrees to accommodate various directions of conduit

Stamped steel construction and hardened set screw provides a 100 lbs. static load capacity

Additional 1/4"-20 mounting hole on back of beam clamp

### MATERIAL/FINISH

Plated Steel



CHBC-50



PART #	FOR EMT SIZE	FOR RIGID SIZE	BOX QTY.
CHBC-50	1/2"	1/2"	50
CHBC-75	3/4"	3/4"	50
CHBC-100	1"	1"	50
CHBC-125	1-1/4"	---	50
CHBC-150	1-1/2"	1-1/4"	50
CHBC-175	---	1-1/2"	50
CHBC-200	2"	2"	50



## BEAM/PURLIN

# BEAM CLAMP

### APPLICATION

Malleable iron beam clamps are used to support conduit hangers, bridle rings and drop rods.

### FEATURES

Tapped holes on side and bottom

### MATERIAL/FINISH

Malleable Iron/Zinc Plated

### CERTIFICATIONS

UL Listed, CSA Listed



PART #	SIZE	JAW OPENING	SIDE/BOTTOM THREADED HOLES	STATIC LOAD (LBS.)	BOX QTY.
26	1"	3/4"	1/4"-20	450	50
27	2"	7/8"	3/8"-16	1300	10
29	2-1/2"	1-3/16"	1/2"-13	1700	10

# HANGING & SUPPORT

## BEAM CLAMP, SLIM-BODY

### APPLICATION

Malleable iron beam clamps are used to support conduit hangers, bridle rings and drop rods.

### FEATURES

Tapped holes on side and bottom

### MATERIAL/FINISH

Malleable Iron/Zinc Plated

### CERTIFICATIONS

UL Listed\*



PART #	JAW OPENING	ROD SIZE	STATIC LOAD (LBS.)	BOX QTY.
MBC-3816EV*	3/4"	3/8"	900	50
122**	3/4"	1/4"-20	125	50
123**	7/8"	3/8"-16	300	50
123A**	3/4"	3/8"-16	300	50
124**	1-1/8"	1/2"-13	600	25

\* UL listed | \*\* No UL



## BEAM/PURLIN

# BEAM CLAMP, WIDE MOUTH

### APPLICATION

Wide-mouth malleable iron beam clamps are used with large flange beams to support conduit hangers, bridle rings and drop rods.

### FEATURES

Tapped holes on side and bottom

### MATERIAL/FINISH

Iron/Zinc Plated

### CERTIFICATIONS

UL Listed



**MBC-14020WM**



PART #	JAW OPENING	SIDE/BOTTOM THREADED HOLES	STATIC LOAD (LBS.)	BOX QTY.
MBC-1420WM	3-1/8"	1/4"-20	450	50
MBC-3816WM	3-1/8"	3/8"-16	1300	25
MBC-1213WM	3-1/8"	1/2"-13	1700	10

# HANGING & SUPPORT

## BEAM CLAMP, HEAVY-DUTY BODY, MALLEABLE IRON

### APPLICATION

Malleable iron beam clamps are used to support conduit hangers, bridle rings and drop rods.

### FEATURES

Tapped holes on side and bottom

### MATERIAL/FINISH

Malleable Iron/Zinc Plated

### CERTIFICATIONS

UL Listed



**MBC-1024**



PART #	JAW OPENING	HOLE THREAD	STATIC LOAD (LBS.)	BOX QTY.
MBC-1213XL	31/32"	1/2"-13	1700	50
MBC-1024	7/8"	10"- 24	375	100



## BEAM/PURLIN

# UNIVERSAL BEAM CLAMP

### APPLICATION

Provides a connection point for threaded rods or bridle rings from beam flange.

### FEATURES

Electrogalvanized coating for corrosion protection  
Threaded rod attaches vertically from back of clamp

### MATERIAL/FINISH

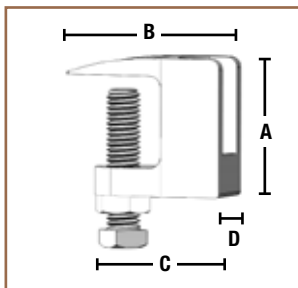
Steel/Galvanized

### CERTIFICATIONS

UL Standard: UL 2239



3000037EGTZ



PART #	FLANGE THICKNESS	ROD SIZE	MOUNT LOAD (LBS.)	A	B	C	D	BOX QTY.
3000037EGTZ	3/4"	3/8"	300	1.60"	1.88"	1.79"	.792	100
3000050EGTZ	3/4"	1/2"	300	1.64"	1.70"	1.78"	1.04	100
3000062EGTZ	3/4"	5/8"	300	1.85"	1.84"	1.82"	1.18	50
3000075EGTZ	3/4"	3/4"	300	1.87"	2.29"	2.12"	1.31	50
3100037EGTZ	1-1/4"	3/8"	300	2.03"	1.67"	2.31"	.948	50
3100050EGTZ	1-1/4"	1/2"	300	2.10"	1.67"	2.33"	1.02	50



# HANGING & SUPPORT

## BEAM CLAMP, REVERSIBLE, MALLEABLE IRON

### APPLICATION

Reversible beam clamps are used when drop rod length needs to be adjusted to accommodate the field installation finished height.

### FEATURES

Through-hole in beam clamps allows drop rod length adjustment  
Hardened cup point set screws come with jam nuts to prevent vibratory loosening in industrial settings

### MATERIAL/FINISH

Malleable Iron/Unfinished (black)

### CERTIFICATIONS

UL Listed or cULus listed



3000037PLTZ



PART #	JAW OPENING	ROD SIZE	STATIC LOAD (LBS.)		BOX QTY.
			TOP MOUNT	BOTTOM MOUNT	
3000037PLTZ**	3/4"	3/8"	300	---	100
MFC-5811*	1-3/8"	5/8" - 11	750	400	25
MFC-3410*	1-3/8"	3/4" - 10	1000	600	25

\* UL listed | \*\* cULus listed



## BEAM/PURLIN

# LIGHT DUTY BEAM CLAMP, REVERSIBLE, MALLEABLE IRON

### APPLICATION

Reversible beam clamps are used when drop rod length needs to be adjusted to accommodate the field installation finished height.

### FEATURES

Through-hole in beam clamps allows drop rod length adjustment

Hardened cup point set screws come with jam nuts to prevent vibratory loosening in industrial settings

### MATERIAL/FINISH

Malleable Iron/Zinc Plated

### CERTIFICATIONS

UL Listed



**JFC-1420**



PART #	JAW OPENING	HOLE THREAD	STATIC LOAD (LBS.)		BOX QTY.
			TOP MOUNT	BOTTOM MOUNT	
JFC-1420	3/4"	1/4" – 20	250	100	50
JFC-3816	3/4"	3/8" – 16	500	250	25
JFC-1213	3/4"	1/2" – 13	500	250	25
JFC-5811	7/8"	5/8" – 11	750	400	25

# HANGING & SUPPORT

## BEAM CLAMP/ROD-HANGER

### APPLICATION

C-style rod hanger clamps are used as structural attachments to metal beams, purlins, channels and angle irons to support boxes, enclosures and fixtures from threaded rods.

### FEATURES

Formed steel construction

### MATERIAL/FINISH

Steel/Electroplated Zinc or 304 Stainless Steel



**SCC-3816**



PART #	MATERIAL	JAW OPENING	STATIC LOAD (LBS.) BOTTOM MOUNT	BOX QTY.
SCC-3816	ZINC PLATED STEEL	3/4	3/8"-1	25
SCC-1213		3/4	1/2"-1	25
SCC-5811		3/4	5/8"-1	
SCC-3410		3/4	3/4"-1	25
SCC-3816S	304 STAINLESS STEEL	3/4	3/8"-1	
SCC-1213S		3/4	1/2"-1	25
SCC-5811S		3/4	5/8"-1	
SCC-3410S		3/4	3/4"-1	25
SCC-3816B	UNFINISHED (BLACK) STEEL	3/4	3/8"-1	25
SCC-1213B		3/4	1/2"-1	25
SCC-5811B		3/4	5/8"-1	
SCC-3410B		3/4	3/4"-1	25



## BEAM/PURLIN

# BEAM CLAMP/ROD-HANGER MALLEABLE IRON

### APPLICATION

C-style rod hanger clamps are used as structural attachments to metal beams, purlins, channels and angle irons to support boxes, enclosures and fixtures from threaded rods.

### FEATURES

Malleable Iron/Zinc Plated or Unfinished

### MATERIAL/FINISH

Malleable Iron



**MCC-3816**



PART #	MATERIAL	JAW OPENING	HOLE THREAD	BOX QTY.
MCC-3816	ZINC PLATED IRON	3/4"	3/8"-16	25
MCC-1213		3/4"	1/2"-13	25
MCC-5811		3/4"	5/8"-11	25
MCC-3410		3/4"	3/4"-10	25
MCC-3816BK	UNFINISHED (BLACK) IRON	3/4"	3/8"-16	25
MCC-1213BK		3/4"	1/2"-13	25
MCC-5811BK		3/4"	5/8"-11	25
MCC-3410BK		3/4"	3/4"-10	25

# HANGING & SUPPORT

## BEAM CLAMP, PARALLEL EDGE

### APPLICATION

Parallel beam conduit clamps are used to mount EMT, rigid, or IMC conduit parallel to beam, channel and angle supports.

### FEATURES

Hot dip galvanized over malleable iron for added durability and corrosion protection

### MATERIAL/FINISH

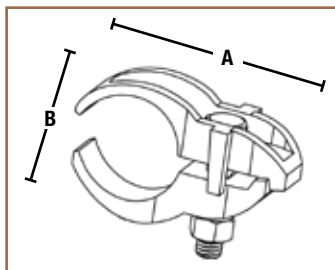
Malleable Iron/Hot Dip Galvanized

### CERTIFICATIONS

UL Listed: UL Standard 2239



1561HDG



PART #	SIZE	A	B	BOX QTY.
1561HDG	1/2"	2.80"	1.42"	50
1562HDG	3/4"	2.99"	1.47"	50
1563HDG	1"	3.19"	1.54"	50
1564HDG	1-1/4"	3.39"	2.01"	25
1565HDG	1-1/2"	3.62"	2.01"	25
1566HDG	2"	4.37"	2.87"	25
1567HDG	2-1/2"	5.12"	3.23"	10
1568HDG	3"	5.79"	4.06"	10
1569HDG	3-1/2"	6.26"	4.53"	10
350-P	4"	6.46"	4.61"	10



## BEAM/PURLIN

# BEAM CLAMP CROSS BEAM EDGE

### APPLICATION

Beam edge conduit clamps are used to mount EMT or rigid conduit perpendicular to beam, channel and angle supports.

### FEATURES

Malleable iron construction

### MATERIAL/FINISH

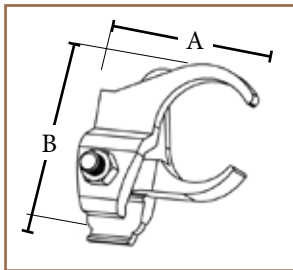
Malleable Iron/Hot Dip Galvanized

### CERTIFICATIONS

UL Listed: UL Standard 2239



**1571HDG**



PART #	SIZE	A	B	BOX QTY.
1571HDG	1/2"	2.10"	2.72"	50
1572HDG	3/4"	2.44"	3.01"	50
1573HDG	1"	2.57"	3.23"	50
1574HDG	1-1/4"	2.96"	3.47"	25
1575HDG	1-1/2"	3.27"	3.65"	25
1576HDG	2"	3.85"	4.36"	25
1577HDG	2-1/2"	4.40"	5.05"	10
1578HDG	3"	5.08"	5.41"	10

## BEAM CLAMP J-STYLE UNDER BEAM

### APPLICATION

J-style conduit beam clamps are used with metallic and flexible conduit.

Clamp allows conduit to be clamped to the parallel or perpendicular 90 degrees to the beam.

### FEATURES

Zinc plated malleable iron construction provides a secure and durable connection

### MATERIAL/FINISH

Malleable Iron/Zinc Plated



**JCL50**



PART #	SIZE	BOX QTY.
JCL50	1/2"	50
JCL75	3/4"	50
JCL100	1"	25
JCL125	1-1/4"	25
JCL150	1-1/2"	25
JCL250	2-1/2"	5
JCL350300	3-1/2"	1



## BEAM/PURLIN

# BEAM CLAMP, RIGHT ANGLE UNDER BEAM, MALLEABLE IRON

### APPLICATION

Right angle conduit clamps are used to mount EMT or rigid conduit across, parallel, or perpendicular to beam, channel or angle supports.

### FEATURES

Hot dip galvanized over malleable iron for added durability and corrosion protection

### MATERIAL/FINISH

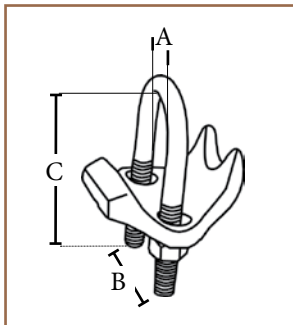
Malleable Iron/Hot Dip Galvanized

### CERTIFICATIONS

UL Listed



1551HDG



PART #	SIZE	A	B	C	BOX QTY.
1551HDG	1/2"	.97"	1.24"	2.46"	50
1552HDG	3/4"	1.15"	1.43"	2.76"	50
1553HDG	1"	1.42"	1.70"	3.01"	50
1554HDG	1-1/4"	1.79"	2.07"	3.16"	50
1555HDG	1-1/2"	2.04"	2.32"	3.52"	50
1556HDG	2"	2.49"	2.83"	4.39"	50
1557HDG	2-1/2"	3.06"	3.39"	4.75"	25
1558HDG	3"	3.65"	3.98"	5.38"	25
1559HDG	3-1/2"	4.21"	4.55"	5.76"	25
1559AHDG	4"	4.69"	5.03"	6.27"	25



## HANGING & SUPPORT

# ROD/WIRE FASTENERS





## ROD/WIRE FASTENERS

# THREADED ANGLE ROD BRACKET

### APPLICATION

Mounts to wood or concrete structures to suspend threaded rods.

### FEATURES

Rotatable joint ensures rod maintains a vertical position  
Galvanized bracket

### MATERIAL/FINISH

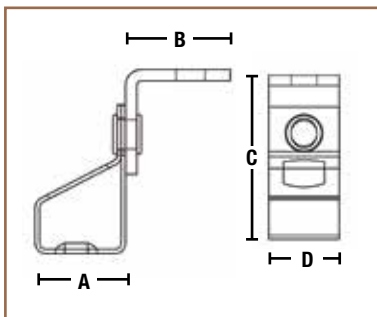
Spring Steel/GEOSEAL™

### CERTIFICATIONS

UL Standard: UL 2239



6TIBTZ



PART #	THREAD SIZE	STATIC LOAD (LBS.)	A	B	C	D	BOX QTY.
4TIBTZ	1/4"	160	.85"	.984"	1.70"	.748"	100
6TIBTZ	3/8"	160	.85"	.984"	1.70"	.748"	100

Load limits are for fasteners only. Attachment to structure must be evaluated separately

# HANGING & SUPPORT

## QUICK SHOT, THREADED HANGER CLIPS

### APPLICATION

Quick shot threaded rod hanger is used to suspend all threaded rods quickly and easily to any overhead structure.

### FEATURES

Included pre-set concrete nail



TRH-1420

PART #	SIZE	BOX QTY.
TRH-1420	1/4" - 20	100
TRH-3816	3/8" - 16	100

## QUICK SHOT, THREADED ROD COUPLER HANGER

### APPLICATION

Use to install overhead all threaded rod support in concrete, masonry or metal ceiling applications.

### FEATURES

Quickly installs with most powder actuated guns (similar to Ramset)

Pre-assembled with concrete nail and washer

Included threaded coupler to easily attach any length 1/4"-20 all threaded rod



STF14

PART #	SIZE	BOX QTY.
STF14	PRE-ASSEMBLED WITH CONCRETE NAIL AND WASHER	1/4" - 20 6"



## ROD/WIRE FASTENERS

# QUICK SHOT, THREADED ROD COUPLER HANGER WITH SLOCK ROD ASSEMBLY

### APPLICATION

Quick shot threaded rod hanger is used to suspend all threaded rods quickly and easily to any overhead structure.

### FEATURES

Included pre-set concrete nail



STF0030



PART #	DESCRIPTION	DROP ROD THREAD	OVERALL LENGTH	BOX QTY.
STF0030	PRE-ASSEMBLED WITH CONCRETE NAIL AND WASHER	1/4" DIAMETER, NO THREADS	30"	50
STF0036		1/4" DIAMETER, NO THREADS	36"	50

# HANGING & SUPPORT

## QUICK SHOT, THREADED ROD COUPLER HANGER WITH ALL THREADED ROD ASSEMBLY

### APPLICATION

Use to install all threaded rod overhead support in concrete, masonry or metal ceiling applications. All threaded rod included with hanger. Use to mount and support many electrical boxes, enclosures and lighting fixtures.

### FEATURES

Pre-assembled with concrete nail and washer

Two 1/4" mounting hex nuts included

Will shoot into metal, concrete or masonry using standard power actuated gun (similar to Ramset)



STF1424

PART #	DESCRIPTION	DROP ROD THREAD	OVERALL LENGTH	BOX QTY.
STF1424	PRE-ASSEMBLED WITH CONCRETE NAIL AND WASHER	1/4"-20	24"	50
STF1430			30"	50
STF1436			36"	50
STF1448			48"	50



**ROD/WIRE FASTENERS**

# QUICK SCREW, THREADED ROD COUPLER

**APPLICATION**

Screw mount angled mounting couplers allows all threaded rod length to be quickly and easily affixed to any overhead surface (mounting hardware not included).

**FEATURES**

.74" mounting hole

**MATERIAL/FINISH**

Steel/Galvanized



**STF14NP**

PART #	INCLUDED COUPLER THREAD	OVERALL LENGTH	BOX QTY.
STF14NP	1/4"-20	6"	50

# HANGING & SUPPORT

## THREADED ROD BRACKET

### APPLICATION

Mounts to wood or concrete structures to suspend threaded rods or wire.

### FEATURES

1/4" plain mounting hole

### MATERIAL/FINISH

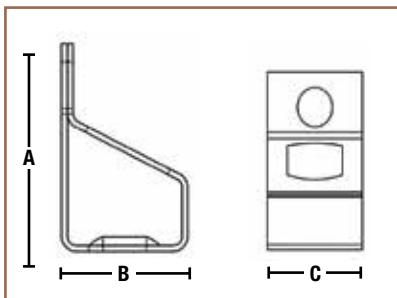
Spring Steel/GEOSEAL™

### CERTIFICATIONS

UL Standard: UL 2239



6TTZ



PART #	THREAD SIZE	STATIC LOAD (LBS.)	A	B	C	BOX QTY.
4TTZ	1/4" THREADED	160	1.40"	.85"	.748"	100
6TTZ	3/8" PLAIN	160	1.40"	.85"	.748"	100
6TTZ	3/8" THREADED	160	1.40"	.85"	.748"	100

Load limits are for fasteners only. Attachment to structure must be evaluated separately.



## ROD/WIRE FASTENERS

# MULTI-FUNCTION CLIPS

### APPLICATION

Easily installs on flanges, rods, and wire to support boxes or conduit.

### FEATURES

- Supports #10-24 and 1/4"-20 Bridle rings
- Spring steel tightening feature secures clip without addition hardware
- Use with other Southwire fasteners to create multiple cable and conduit support solutions

### MATERIAL/FINISH

Spring Steel/GEOSEAL™

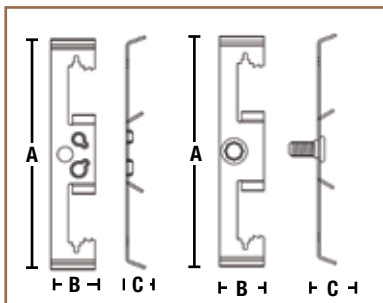
### CERTIFICATIONS

UL Standard: UL 2239



4Z34TZ

4Z4STZ



PART #	FLANGE THICKNESS	ROD SIZE	WIRE SIZE	HOLE SIZE	SCREW SIZE	LOAD CAPACITY (LBS.)	
						VERTICAL	HORIZONTAL
4Z34TZ	1/8" - 3/8"	1/4"	#12 - #8	1/4"	NONE	25	15
4Z4STZ	1/8" - 3/8"	1/4"	#12 - #8	-	1/4" - 20	25	15
6Z34TZ	3/8" - 7/16"	3/8"	-	1/4"	NONE	25	15

PART #	A	B	C	BOX QTY.
4Z34TZ	3.87"	.748"	.315"	100
4Z4STZ	3.87"	.748"	.315"	100
6Z34TZ	3.62"	.748"	.315"	100



## HANGING & SUPPORT

# FASTENERS/ HARDWARE





## FASTENERS/HARDWARE

# METAL STUD GROMMETS

### APPLICATION

Universal metal stud grommets are used to protect wires from damage caused by sharp edges on metal studs.

### FEATURES

- Tool free installation
- Provides 360° protection for cables
- Makes pulling cables easier
- Fits all stud hole sizes
- Snaps in over different hole configurations for protection from sharp metal

### MATERIAL/FINISH

6/6 Nylon

### CERTIFICATIONS

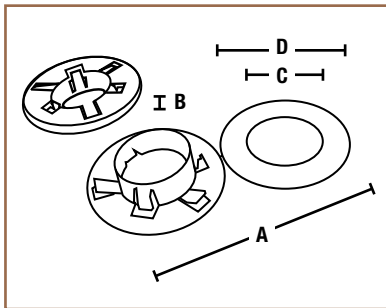
UL Standard: UL514B



ESG1TZ



Common hole configurations in metal studs



PART #	A	B	C	D	BOX QTY.
ESG1TZ	4.61"	.56"	1.35"	2.27"	100
ESG1MTZ	4.61"	.56"	1.35"	2.27"	1000

# HANGING & SUPPORT

## WIRETAB™ CABLE POSITIONING DEVICE

### APPLICATION

Hold loose end of wire in position during construction. Ideal for under cabinet lights, security, doorbells, speakers and more.

### FEATURES

WireTab™ Cable Positioning Device hugs the corner of a wall stud, allowing loose wire ends to be threaded through the channel. When drywall is hung, a pre-cut hole is positioned to surround the WireTab™ Cable

Positioning Device channel so wire ends are in the correct place

### MATERIAL/FINISH

Polyethylene



MWT1

PART #	TRADE SIZE	BOX QTY.
MWT1	1 GANG	25

## END CAPS FOR STRUT CHANNEL

### APPLICATION

To cap off end of strut channel.

### MATERIAL/FINISH

White Plastic



SFEC08

PART #	FOR CHANNEL	BOX QTY.
SFEC08	13/16" x 1-5/8"	100
SFEC09	1-5/8" x 1-5/8"	100



## FASTENERS/HARDWARE

# FLAT SPLICE PLATES

### APPLICATION

Use to secure two pieces of strut channel together. SFF34 is used for parallel/side by side strut attachment.

### FEATURES

1/4" thick steel

### MATERIAL/FINISH

Steel/ Electroplated Zinc



SFF30

PART #	NUMBER OF HOLES	TYPE	BOX QTY.
SFF30	2	END SPLICE	50
SFF31	3	END SPLICE	25
SFF32	4	END SPLICE	25
SFF34	2	PARALLEL SPLICE	25

# 3 HOLE FLAT SPLICE PLATES CORNER

### APPLICATION

Use to secure two pieces of strut channel at a 90° angle.

### FEATURES

1/4" thick steel

### MATERIAL/FINISH

Steel/Green Powder Coat or Electroplated Zinc



SFF50

PART #	HOLE DIAMETER	HOLE CENTER TO CENTER	FINISH	BOX QTY.
SFF50-GN	9/16"	1 7/8"	GREEN POWDER COAT	25
SFF50	9/16"	1-7/8"	ZINC PLATED	25

# HANGING & SUPPORT

## 4 HOLE FLAT SPLICE PLATES CORNER

### APPLICATION

Use to secure two pieces of strut channel at a 90° angle.

### FEATURES

1/4" thick steel

### MATERIAL/FINISH

Steel/Green Powder Coat or Electroplated Zinc

SFF51-GN



PART #	HOLE DIAMETER	HOLE CENTER TO CENTER	FINISH	BOX QTY.
SFF51-GN	9/16"	1-7/8"	GREEN POWDER COAT	20
SFF51	9/16"	1-7/8"	ZINC PLATED	20

## 4 HOLE FLAT SPLICE PLATES TEE

### APPLICATION

Use to secure two pieces of strut channel at a 90° angle T.

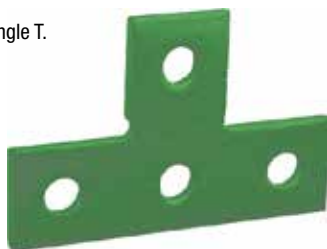
### FEATURES

1/4" thick steel

### MATERIAL/FINISH

Steel/Green Powder Coat or Electroplated Zinc

SFF60-GN



PART #	HOLE DIAMETER	HOLE CENTER TO CENTER	FINISH	BOX QTY.
SFF60-GN	9/16"	1-7/8"	GREEN POWDER COAT	20
SFF60	9/16"	1-7/8"	ZINC PLATED	20



## FASTENERS/HARDWARE

# 2 HOLE 90° ANGLE CORNER BRACKET

### APPLICATION

Use to secure two pieces of strut channel at a 90° angle.

### FEATURES

Legs: 2" x 1-7/8" \* 1/4" thick steel

### MATERIAL/FINISH

Steel/Green Powder Coat, Electroplated Zinc,  
or 316 Stainless Steel



**SFL11-GN**

PART #	HOLE DIAMETER	MATERIAL	FINISH	BOX QTY.
SFL11-GN	9/16"	STEEL	GREEN POWDER COAT	50
SFL11	9/16"	STEEL	ZINC PLATED	50
SFL11-SS	9/16"	316 STAINLESS STEEL	STAINLESS	50

# HANGING & SUPPORT

## TWO HOLE ANGLE BRACKET

### APPLICATION

Provides attachment of rods, hooks, or chains from concrete or wood structure.

### FEATURES

1/4" structural mounting hole

### MATERIAL/FINISH

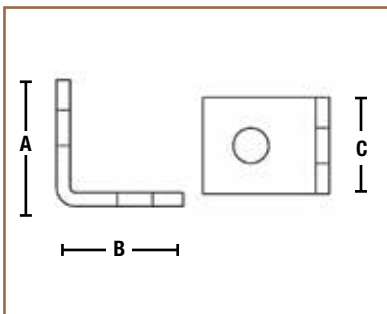
Steel/Galvanized or Stainless Steel

### CERTIFICATIONS

UL Standard: UL 2239



**ABTZ**



PART #	MATERIAL	ROD SIZE	THROUGH HOLE SIZE		A	B	C	BOX QTY.
			SMALL HOLE	LARGE HOLE				
ABTZ	STEEL/ GALVANIZED	1/4"	.250"	.250"	.984"	.984"	.748"	100
AB375TZ		3/8"	.280"	.280"	.984"	.984"	.748"	100
BA-1/4-SS	STAINLESS STEEL	1/4"	.250"	.385"	.984"	.984"	.748"	100
BA-3/8-SS		3/8"	.280"	.385"	.984"	.984"	.748"	100



## FASTENERS/HARDWARE

# TWO HOLE 90° ANGLE CROSS CORNER BRACKET

### APPLICATION

Use to secure three pieces of strut channel at a 90° angle X.

### FEATURES

Legs: 2-1/4" x 1-5/8"  
1/4" thick steel

### MATERIAL/FINISH

Steel/Electroplated Zinc



SFL20

PART #	HOLE DIAMETER	FINISH	BOX QTY.
SFL20	9/16"	ZINC PLATED	50

# THREE HOLE 90° ANGLE CORNER BRACKET

### APPLICATION

Use to secure two pieces of strut channel at a 90° angle.

### FEATURES

Legs: 4-1/8" x 1-5/8"  
1/4" thick steel

### MATERIAL/FINISH

Steel/Electroplated Zinc



SFL21

PART #	HOLE DIAMETER	FINISH	BOX QTY.
SFL21	9/16"	ZINC PLATED	25



# HANGING & SUPPORT

## FOUR HOLE CORNER 90° ANGLE BRACKET

### APPLICATION

Use to secure two pieces of strut channel at a 90° angle.

### FEATURES

Legs: 4-1/8" x 3-1/2"

1/4" thick steel

### MATERIAL/FINISH:

Steel/Galvanized or 316 Stainless Steel



L220000EGTZ



PART #	MATERIAL	HOLE DIAMETER	BOX QTY.
L220000EGTZ	STEEL/GALVANIZED 316 STAINLESS STEEL	9/16"	25
SFL31-SS	316 ss	9/16"	25



## FASTENERS/HARDWARE

# FOUR HOLE CORNER 90° ANGLE BRACKET

### APPLICATION

Use to secure two pieces of strut channel at a 90° angle.

### FEATURES

Legs: 3-7/8" x 3-3/4"

1/4" thick steel

### MATERIAL/FINISH

Steel/Green Powder Coat, Electroplated Zinc, or 316 Stainless Steel



SFL13-GN

PART #	HOLE DIAMETER	MATERIAL	FINISH	BOX QTY.
SFL13-GN	9/16"	STEEL	GREEN POWDER COAT	25
SFL13	9/16"	STEEL	ZINC PLATED	25
SFL13-SS	9/16"	316 STAINLESS STEEL	STAINLESS	25

# THREE HOLE CORNER 90° ANGLE BRACKET

### APPLICATION

Use to secure two pieces of strut channel at a 90° angle.

### FEATURES

Legs: 3-1/2" x 2-1/4"

1/4" thick steel

### MATERIAL/FINISH

Steel/Electroplated Zinc



SFL30

PART #	HOLE DIAMETER	FINISH	BOX QTY.
SFL30	9/16"	ZINC PLATED	25

# HANGING & SUPPORT

## TWO HOLE CORNER 45° ANGLE BRACKET

### APPLICATION

Use to secure two pieces of strut channel at a 45° angle.

### FEATURES

1/4" thick steel

### MATERIAL/FINISH

Steel/Green Powder Coat or Electroplated Zinc



SFL60

PART #	HOLE DIAMETER	FINISH	BOX QTY.
SFL60-GN	9/16"	GREEN POWDER COAT	25
SFL60	9/16"	ZINC PLATED	25

## FOUR HOLE CORNER 45° ANGLE BRACKET

### APPLICATION

Use to secure two pieces of strut channel at a 45° angle.

### FEATURES

1/4" thick steel

### MATERIAL/FINISH

Steel/ Electroplated Zinc



SFL62

PART #	HOLE DIAMETER	FINISH	BOX QTY.
SFL62	9/16"	ZINC PLATED	25



## FASTENERS/HARDWARE

# U-FITTING SPLICE EXTERNAL, FOUR HOLE

### APPLICATION

Use to secure two pieces of strut channel.

### FEATURES

1/4" thick steel

### MATERIAL/FINISH

Steel/Green Powder Coat or Electroplated Zinc



SFU33-GN

PART #	FOR CHANNEL DEPTH	HOLE DIAMETER	LENGTH	FINISH	BOX QTY.
SFU33-GN	13/16"	9/16"	7-1/4"	GREEN POWDER COAT	10
SFU33	13/16"	9/16"	7-1/4"	ZINC PLATED	10
SFU32-GN	1-5/8"	9/16"	7-1/4"	GREEN POWDER COAT	10
SFU32	1-5/8"	9/16"	7-1/4"	ZINC PLATED	10

# STRUT JOINER INTERNAL WITH CAM SCREWS

### APPLICATION

Use to secure two pieces of strut channel.

### MATERIAL/FINISH

Steel/Electroplated Zinc



SFEF33-1316

PART #	FOR CHANNEL DEPTH	LENGTH	FINISH	BOX QTY.
SFEF33-1316	13/16"	4-7/16"	ZINC PLATED	10
SFEF33-158	1-5/8"	4-7/16"	ZINC PLATED	10

# HANGING & SUPPORT

## TWO HOLE POST BASE, 6" X 4"

### APPLICATION

Use to secure strut channel to floor or flat surface.

### FEATURES

1/4" thick steel

### MATERIAL/FINISH

Steel/Electroplated Zinc



SFP10

PART #	DESCRIPTION	CHANNEL SIZE	FINISH	BOX QTY.
SFP10	PARALLEL TO EDGE	1-5/8"	ZINC PLATED	5

## FOUR HOLE POST BASE, 6" X 6"

### APPLICATION

Use to secure strut channel to floor or flat surface.

### FEATURES

1/4" thick steel

### MATERIAL/FINISH

Steel/Green Powder Coat or Electroplated Zinc



SFP14-GN

PART #	DESCRIPTION	CHANNEL SIZE	FINISH	BOX QTY.
SFP14-GN	PARALLEL TO EDGE	1-5/8"	GREEN POWDER COAT	5
SFP14	PARALLEL TO EDGE	1-5/8"	ZINC PLATED	5
SFP13	TURNUED 45° TO EDGE	1-5/8"	ZINC PLATED	5



**FASTENERS/HARDWARE**

# WALL BRACKET CHANNEL FOR 1-5/8" STRUT

**APPLICATION**

Use as shelf or to hang other apparatuses.

**FEATURES**

1/4" thick steel

**MATERIAL/FINISH**

Steel/ Electroplated Zinc



**SFBR40-6**

PART #	DESCRIPTION	LENGTH	UNIFORM LOAD CAPACITY (LBS.)	BOX QTY.
SFBR40-6	2 MOUNTING HOLES	6"	1,250	1
SFBR40-9	3 MOUNTING HOLES	9"	1,000	1
SFBR40-12	4 MOUNTING HOLES	12"	750	1

# HANGING & SUPPORT

## RMC U-BOLT WITH HEX NUTS HOT DIP GALVANIZED

### APPLICATION

U-Bolts secure conduit to a beam or channel.

### FEATURES

Hot dip galvanized zinc plating over malleable iron for added durability and corrosion protection

### MATERIAL/FINISH

Malleable Iron/Hot Dip Galvanized

### CERTIFICATIONS

cULus Listed

UL 2239



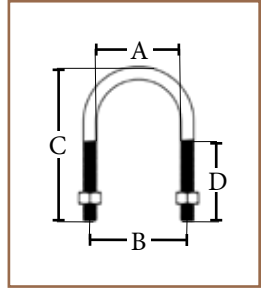
761HDG



PART #	SIZE	BOLT SIZE	INNER QTY.	MASTER QTY.
761HDG	1/2"	5/16" - 18	25	250
762HDG	3/4"	5/16" - 18	25	250
763HDG	1"	5/16" - 18	25	250
764HDG	1-1/4"	5/16" - 18	20	200
765HDG	1-1/2"	5/16" - 18	20	200
766HDG	2"	3/8" - 16	10	100
767HDG	2-1/2"	3/8" - 16	---	20
768HDG	3"	3/8" - 16	---	20
769HDG	3-1/2"	3/8" - 16	---	20
770HDG	4"	3/8" - 16	---	20



## FASTENERS/HARDWARE



PART #	A	B	C	D
761HDG	.97"	1.24"	2.46"	1.50"
762HDG	1.15"	1.43"	2.76"	1.50"
763HDG	1.42"	1.70"	3.01"	1.50"
764HDG	1.79"	2.07"	3.16"	1.50"
765HDG	2.04"	2.32"	3.52"	1.50"
766HDG	2.49"	2.83"	4.39"	1.96"
767HDG	3.06"	3.39"	4.75"	1.96"
768HDG	3.65"	3.98"	5.38"	1.96"
769HDG	4.21"	4.55"	5.76"	1.96"
770HDG	4.69"	5.03"	6.27"	1.96"



# HANGING & SUPPORT

## STRUT TO BEAM CLAMP WITH BOLT

### APPLICATION

Use to secure strut channel to underside of a beam.

### FEATURES

3/8"-16 threads

### MATERIAL/FINISH

Steel/Electroplated Zinc



SFBC60

PART #	FOR HEIGHT CHANNEL	MAX FLANGE THICKNESS	MAX LOAD (LBS.) USED IN PAIRS	BOX QTY.
SFBC60	13/16" or 1-5/8"	3/4"	1,200	25
SFBC61	2-7/16" or 3-1/4"	3/4"	1,200	25

## STRUT TO BEAM WINDOW CLAMP

### APPLICATION

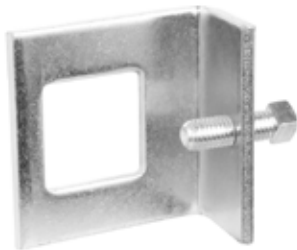
Use to secure strut channel to floor or flat surface.

### FEATURES

1/4" thick steel

### MATERIAL/FINISH

Steel/Electroplated Zinc



SFBC40

PART #	FOR CHANNEL	MAX LOAD (LBS.) USED IN PAIRS	MATERIAL	BOX QTY.
SFBC40	1-5/8" x 1-5/8"	950	ZINC PLATED STEEL	20



**FASTENERS/HARDWARE**

# STRUT TO BEAM NOTCHED CLAMP

## APPLICATION

Use to secure strut channel to the underside of a structural beam in tight spaces. Use in conjunction with spring nuts or cone nuts to securely fasten the strut to the beam surface.

## FEATURES

1/4" thick steel

1/2"-13 HHCS and 1/2" channel nut sold separately

## MATERIAL/FINISH

Steel/Electroplated Zinc



**SFBC70**

PART #	FOR CHANNEL	MAX LOAD (LBS.) USED IN PAIRS	BOX QTY.
SFBC70	13/16" x 1-5/8"	1,100	25

# HANGING & SUPPORT

## BAR-JOIST WASHERS

### APPLICATION

Bar joist washers clamp on open web bar joist trusses and allow for multiple items to be hung along ceiling joists. Bar joist washers allow the installer to easily mount boxes, hangers and clamps anywhere along linear open bar joist grid.

### MATERIAL/FINISH

Steel/Electroplated Zinc



23WBJ

PART #	FOR ROD OR BOLT SIZE	BOX QTY.
23WBJ	1/4"	50
24WBJ	3/8"	50

## SWIVEL, FEMALE/FEMALE

### APPLICATION

Used as a union between two supports or pieces of all threaded rod.

### FEATURES

Allows for straight, flush hang

### MATERIAL/FINISH

Steel/Electroplated Zinc



SFSW12-3816

PART #	THREAD	MAX LOAD CAPACITY (LBS.)	BOX QTY.
SFSW12-3816	3/8" – 16	620	50
SFSW12-1213	1/2" – 13	1,150	50



## FASTENERS/HARDWARE

# SWIVEL, MALE/FEMALE

### APPLICATION

Use as a union between two supports or pieces of all threaded rod.

### FEATURES

Allows for straight, flush hang

### MATERIAL/FINISH

Steel/Electroplated Zinc



**SFSW13-3816**

PART #	THREAD	MAX LOAD CAPACITY (LBS.)	BOX QTY.
SFSW13-3816	3/8" – 16	620	50
SFSW13-1213	1/2" – 13	1,150	50

# HANGING & SUPPORT

## THREADED ROD HANGERS

### APPLICATION

Threaded rod hangers are specifically designed to be used in overhead applications to provide tapped 1/4"-20 or 3/8"-16 threaded rod attachment points.

### FEATURES

Direct mount into support surface

### MATERIAL/FINISH

Steel/Zinc Plated



SMY142W



SMY141S



PART #	OVERALL LENGTH	APPLICATION	FOR ROD SIZE	BOX QTY.
SMY142W	2"	FOR WOOD	1/4" – 20	10
SMY382W	2-1/2"	FOR WOOD	3/8" – 16	10
SMY141C	2"	FOR MASONRY/BRICK	1/4" – 20	10
SMY381C	2-1/2"	FOR MASONRY/BRICK	3/8" – 16	10
SMY141S	1"	FOR SHEET METAL	1/4" – 20	10
SMY381S	1"	FOR SHEET METAL	3/8" – 16	10



## FASTENERS/HARDWARE

# SPLIT NUT

### APPLICATION

Southwire's Split Nuts reduce the time for threading a rod compared to conventional nuts

### FEATURES

Allows user to start threading at any point along the threaded rod

Allows user to avoid damaged threads

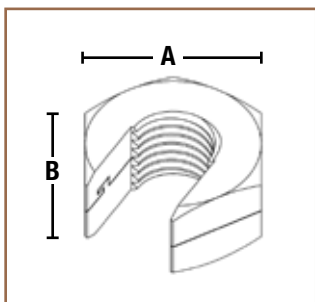
Strong load ratings

### MATERIAL/FINISH

Steel/Galvanized



SN37TZ



PART #	ROD SIZE	STATIC LOAD (LBS.)	A	B	BOX QTY.
SN37TZ	3/8"	42	.864"	.500"	100
SN50TZ	1/2"	73	.864"	.500"	100

# HANGING & SUPPORT

## SLIP-TIGHT THREADED ROD NUT

### APPLICATION

Slip-tight threaded rod nut has ability to be positioned on threaded rod or bolt at any point, without the time consuming nuisance of threading.

### FEATURES

Secure nut in place with Allen wrench

### MATERIAL/FINISH

Steel/Zinc Plated



SLN-3816

PART #	FOR ROD SIZE	BOX QTY.
SLN-3816	3/8" – 16	100



## FASTENERS/HARDWARE

# TOP SPRING NUT

### APPLICATION

Manufactured for slip resistant support of components in strut system.

### FEATURES

Spring diameter 1.10"

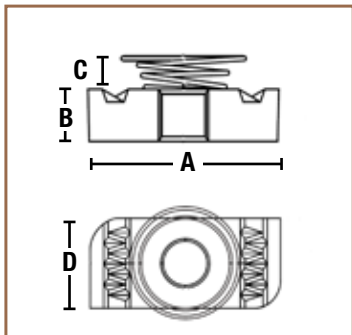
Grooved attachment nut creates secure fit and improve traction

### MATERIAL/FINISH

Steel/Galvanized



TSNT0037EGTZ



PART #	ROD SIZE	CHANNEL SIZE	TORQUE FORCE (LBS.)	A	B	C	D	BOX QTY.
TSNT0025EGTZ	1/4"	1/4"	13	1.35"	.208"	.223"	.729"	100
TSNT0037EGTZ	3/8"	3/8"	22	1.36"	.345"	.223"	.75"	100



# HANGING & SUPPORT

## SPRING NUTS WITH SPRING FOR STRUT CHANNEL

### APPLICATION

Secures fittings or other apparatus to strut system.

### FEATURES

No spring for installation flexibility

Teeth to bit into inside lip of strut

### MATERIAL/FINISH

Steel/Electroplated Zinc

### CERTIFICATIONS

UL Listed



**SNSS1420**



PART #	FOR CHANNEL DEPTH	HOLE THREAD	BOX QTY.
SNSS1420	13/16" to 1"	1/4"-20	50
SNSS3816	13/16" to 1"	3/8"-16	50
SNSS1213	13/16" to 1"	1/2"-13	50
2111	1-3/8" to 1-5/8"	1/4"-20	100
2112	1-3/8" to 1-5/8"	3/8"-16	100
2113	1-3/8" to 1-5/8"	1/2"-13	50
SNLS1420	2-7/16" to 3-1/4"	1/4"-20	50
SNLS3816	2-7/16" to 3-1/4"	3/8"-16	50
SNLS1213	2-7/16" to 3-1/4"	1/2"-13	50



## FASTENERS/HARDWARE

# BOTTOM SPRING NUT

### APPLICATION

Manufactured for slip resistant support of components in strut system.

### FEATURES

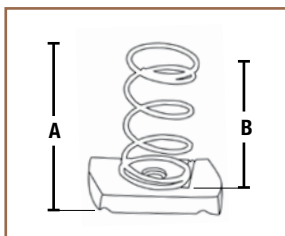
Grooved attachment nut creates secure fit and improve traction  
For use with 1-5/8" strut channel

### MATERIAL/FINISH

Steel/Galvanized



**SPRA0037EGTZ**



PART #	CHANNEL TYPE	ROD SIZE	TORQUE FORCE (LBS.)	NUT THICKNESS
SPRA0025EGTZ	A & B	1/4" – 20	13	.21"
SPRA0037EGTZ	A & B	3/8" – 16	22	.34"
SPRA0050EGTZ	A & B	1/2" – 13	40	.449"
SPRC0025EGTZ	C	1/4" – 20	13	.222"

PART #	A	B	C	D	BOX QTY.
SPRA0025EGTZ	1.79"	1.58"	1.35"	.741"	100
SPRA0037EGTZ	1.95"	1.61"	1.35"	.72"	100
SPRA0050EGTZ	2.02"	1.57"	1.34"	.747"	100
SPRC0025EGTZ	1"	.778"	1.35"	.73"	100

# HANGING & SUPPORT

## STRUT WASHERS - 1-5/8" SQUARE STANDARD

### APPLICATION

Use to secure all threaded rod to strut system.

### FEATURES

1/4" thick steel

### MATERIAL/FINISH

Steel/Green Powder Coat Finish, Electroplated Zinc, or 316 Stainless Steel



PART #	BOLT SIZE	FINISH	BOX QTY.
SW-1/4-G	1/4"	GREEN POWDER COAT	100
SW-3/8-G	3/8"		100
SW-1/2-G	1/2"		100
SW-5/8-G	5/8"		100
SW-1/4	1/4"	ZINC PLATED	100
SW-3/8	3/8"		100
SW-1/2	1/2"		100
SW-5/8	5/8"		100
SW-1/4-SS	1/4"	316 STAINLESS STEEL	100
SW-3/8-SS	3/8"		100
SW-1/2-SS	1/2"		100
SW-5/8-SS	5/8"		100



## FASTENERS/HARDWARE

# STRUT NUT, NO SPRING FOR STRUT CHANNEL

### APPLICATION

Secures fittings or other apparatus to strut system.

### FEATURES

Teeth to bit into inside lip of strut

### MATERIAL/FINISH

Steel/Electroplated Zinc

### CERTIFICATIONS

UL Listed



**CNN-038**



PART #	HOLE THREAD	BOX QTY.
CNN-025	1/4"-20	100
CNN-038	3/8"-16	100
SNW01213	1/2"-13	50

# CONE NUT, FOR STRUT CHANNEL

### APPLICATION

Secures fittings or other apparatus to strut system.

### FEATURES

Push and turn easy installation

Teeth to bit into inside lip of strut

### MATERIAL/FINISH

Steel/Electroplated Zinc



**SNCN1420**

PART #	HOLE THREAD	BOX QTY.
SNCN1420	1/4"-20	100
SNCN3816	3/8"-16	100
SNCN1213	1/2"-13	100

# HANGING & SUPPORT

## SQUEEZE NUT, FOR STRUT CHANNEL

### APPLICATION

Secures fittings or other apparatus to strut system.

### FEATURES

Push and turn easy installation

Teeth to bit into inside lip of strut

### MATERIAL/FINISH

Steel/Electroplated Zinc



**SNSQ1420**

PART #	HOLE THREAD	BOX QTY.
SNSQ1420	1/4"-20	100
SNSQ3816	3/8"-16	100
SNSQ1213	1/2"-13	100

## STRUT WASHER "U/SADDLE" STYLE

### APPLICATION

Use to secures all threaded rod to strut system.

### FEATURES

Saddle design prevents twisting or movement of washer

### MATERIAL/FINISH

Steel/Electroplated Zinc



**SFU70-25**

PART #	BOLT SIZE	BOX QTY.
SFU70-25	1/4" - 20	50
SFU70-38	3/8" - 16	50
SFU70-50	1/2" - 13	50



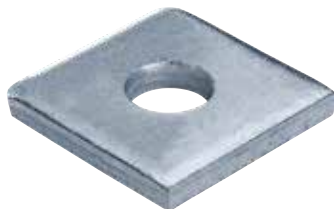
# SQUARE CHANNEL WASHER

## APPLICATION

Secures rods to strut channel.

## MATERIAL/FINISH

Steel/Galvanized



F130000EGTZ



PART #	ROD SIZE	HOLE DIAMETER	BOX QTY.
F130000EGTZ	5/16"	3/8"	100
F140000EGTZ	3/8"	7/16"	100
F150000EGTZ	1/2"	9/16"	100

# HANGING & SUPPORT

## STRUT WASHERS 1-5/8" SQUARE STANDARD

### APPLICATION

Use to secure all threaded rod to strut system.

### FEATURES

1/4" thick steel

### MATERIAL/FINISH

Steel/Green Powder Coat Finish, Electroplated

Zinc, or 316 Stainless Steel



SW-1/4-SS

PART #	BOLT SIZE	FINISH	BOX QTY.
SW-1/4-G	1/4"	GREEN POWDER COAT	100
SW-3/8-G	3/8"		100
SW-1/2-G	1/2"		100
SW-5/8-G	5/8"		100
SW-1/4	1/4"	ZINC PLATED	100
SW-3/8	3/8"		100
SW-1/2	1/2"		100
SW-5/8	5/8"		100
SW-1/4-SS	1/4"	316 STAINLESS STEEL	100
SW-3/8-SS	3/8"		100
SW-1/2-SS	1/2"		100
SW-5/8-SS	5/8"		100

**FASTENERS/HARDWARE**

# STRUT WASHERS 2" SQUARE, EXTRA LARGE

**APPLICATION**

Use to secure all threaded rod to strut system.

**FEATURES**

1/4" thick steel

**MATERIAL/FINISH**

Steel/Electroplated Zinc

**SW-2-3/8**

PART #	BOLT SIZE	FINISH	BOX QTY.
SW-2-3/8	3/8"	ZINC PLATED	100
SW-2-1/2	1/2"		100
SW-2-5/8	5/8"		100
SW-2-3/4	3/4"		100

# STRUT WASHERS FLAT OCTAGON

**APPLICATION**

Use to secure all threaded rod to strut system.

**FEATURES**

1-1/2" O.D.

Mounts inside strut channel

**MATERIAL/FINISH**

Steel/Electroplated Zinc or 304 Stainless Steel

**12WFS**

PART #	BOLT SIZE	FINISH	BOX QTY.
12WFS	1/4" OR 3/16"	ZINC PLATED STEEL	100
13WFS	1/2"		100
14WFS	3/8"		100
12WFSS	1/4" OR 3/16"	304 STAINLESS STEEL	100
13WFSS	1/2"		100
14WFSS	3/8"		100



# HANGING & SUPPORT

## STRUT WASHERS 1-5/8" SQUARE, NOTCHED

### APPLICATION

Use to secure all threaded rod to strut system.

### FEATURES

Notched design prevents twisting or movement of washer  
1/4" thick steel

### MATERIAL/FINISH

Steel/Electroplated Zinc



SFF20



PART #	BOLT SIZE	FINISH	BOX QTY.
SFF20	1/4"	ZINC PLATED	100
SFF21	3/8"		100
SFF22	1/2"		100
SFF23	5/8"		100
SFF24	3/4"		100

# **STUD/ DRYWALL**

---

**Support and protection for electrical  
circuits through termination within  
the structure**

**BOX SUPPORT SYSTEMS**

**CABLE/CONDUIT SUPPORT**

**NAIL PLATE**

**HANGING & SUPPORT**

# **BOX SUPPORT SYSTEMS**





## BOX SUPPORT SYSTEMS

# FLOOR MOUNT BOX SUPPORT

### APPLICATION

Provides versatility in positioning electrical boxes in between wall studs.

### FEATURES

- Mounts inside or under wall stud tracks
- Built-in back support
- Meets ADA guidelines for 15" height minimum

### MATERIAL/FINISH

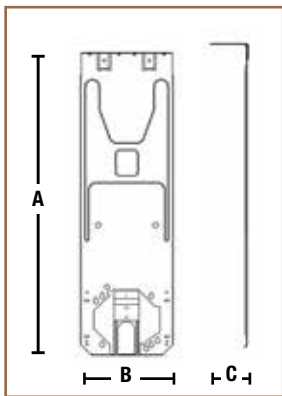
Steel/Galvanized

### CERTIFICATIONS

UL Standard: UL 514A



**FMBS18TZ**



PART #	A	B	C	BOX QTY.
FMBS18TZ	21.06"	6.48"	2.56"	25

# HANGING & SUPPORT

## SNAP-ON BOX SUPPORT

### APPLICATION

Clip-on feature easily attaches electrical boxes to studs.

### FEATURES

Snaps on to metal/wood studs

Clips onto box

Center hole allows for screw attachment

### MATERIAL/FINISH

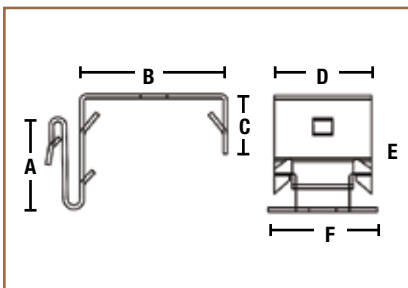
Spring Steel/GEOSEAL™

### CERTIFICATIONS

UL Standard: UL 2239



MSFTZ



PART #	A	B	C	D	E	F	BOX QTY.
MSFTZ	.962"	1.54"	.622"	1"	1.20"	1.12"	100



**BOX SUPPORT SYSTEMS**

# STEEL BOX SUPPORT

**APPLICATION**

Bendable, easy-to-use tabs secure metal boxes in drywall, lath, and plaster.

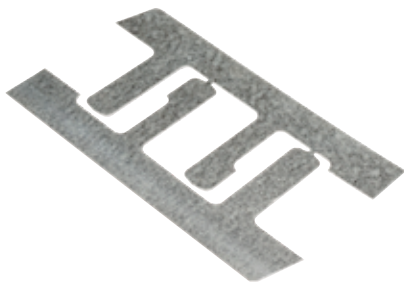
**FEATURES**

Break apart design for easy handling

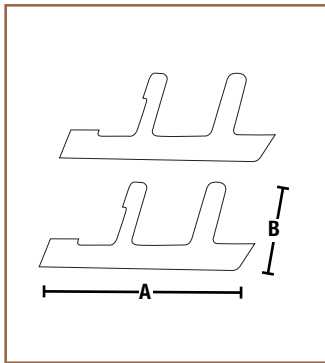
Sold in pairs

**MATERIAL/FINISH**

Steel



**DSI2ATZ**



PART #	A	B	BOX QTY.
DSI2ATZ	5.125"	2.25"	50

# HANGING & SUPPORT

## BOX MOUNTING BRACKET

### APPLICATION

Secures multiple boxes between studs using one bracket; 16" supports up to 3 boxes and 24" supports up to 4 boxes.

### FEATURES

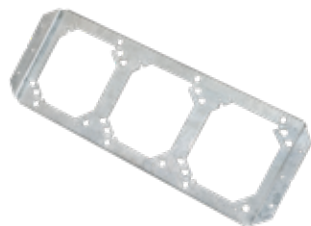
For use with 4" & 4-11/16" outlet boxes  
Suitable for 1-1/2" & 2-1/8" deep boxes  
Supports single or multiple boxes, plaster rings or low voltage devices

### MATERIAL/FINISH

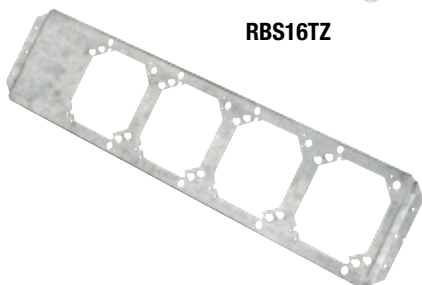
Steel/Galvanized

### CERTIFICATIONS

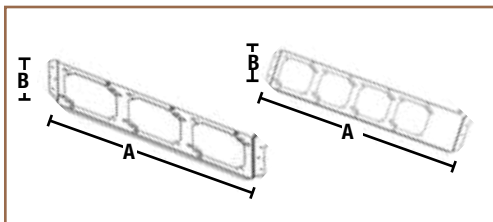
UL Standard: UL514A



RBS16TZ



RBS24TZ



PART #	STUD SPACING	A	B	BOX QTY.
RBS16TZ	16"	16"	5"	20
RBS24TZ	24"	24"	5"	20



## BOX SUPPORT SYSTEMS

# BOX MOUNTING BRACKET 3-POSITION FOR ADJUSTABLE DEPTH DEVICE RINGS

### APPLICATION

Bracket is used to position three junction boxes with Southwire adjustable device rings between wood or metal studs.

### FEATURES

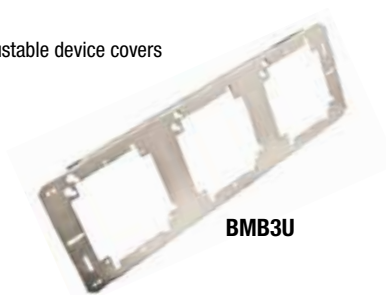
Mounts up to three boxes and Southwire adjustable device covers

### MATERIAL/FINISH

Steel/Galvanized

### CERTIFICATIONS•

UL Listed



**BMB3U**



**LISTED**

PART #	ADJUST. DEPTH RING COMPATIBILITY	STUD CENTER DISTANCE	FITS SQUARE BOXES	BOX QTY.
BMB3U	AMR1, AMR2, AMR0	16"	4", 4-11/16"	25



# HANGING & SUPPORT

## SCREW GUN BRACKETS

### APPLICATION

Screw gun brackets allow electrical boxes to be quickly and easily installed between ceiling joists or wall studs.

### FEATURES

- Notched and marked allows for easy identification and bending
- Pilot holes for easy box attachment
- Adjustable version for non-standard stud spacing
- Mounting holes length of bar for easy box installation
- 13 lbs. load capacity when intended to support a fixture or luminaire in a wall

### MATERIAL/FINISH

Steel/Galvanized

TSGB16TZ

### CERTIFICATIONS

UL Standard: UL 514A\*



PART #	SPAN	LENGTH	BOX DEPTHS	BOX QTY.
SGB16ATZ*	NON-ADJUSTABLE	16"	1-1/2", 2-1/8"	50
TSGB16TZ*	ADJUSTABLE	11-1/2" to 17-3/4"	1-1/2", 2-1/8"	50
TSGB1624TZ*	ADJUSTABLE	14-1/4" to 24-1/4"	1-1/2", 2-1/8", 2-1/2"	50
BHAD16**	ADJUSTABLE	11" to 18"3"	3-1/2"	50
BHAD24**	ADJUSTABLE	17" to 26"	3-1/2"	50

\*cULus listed | \*\*Not UL listed



## BOX SUPPORT SYSTEMS

# TELESCOPING BOX SUPPORT

### APPLICATION

Provides flexibility to support electrical boxes in-between wall studs.

### FEATURES

Telescoping feature accommodates studs from 16" to 24"

Use with 4" square box and mud ring

Will support 4 electrical boxes in 24" spacing

Easily adjust box position after installed

### MATERIAL/FINISH

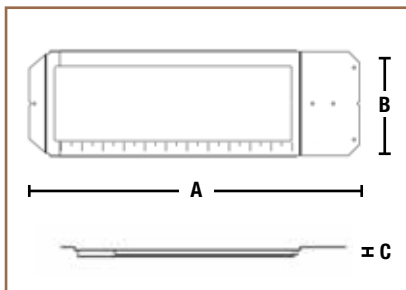
Steel/Galvanized

### CERTIFICATIONS

UL Standard: UL 514A



TSRBS1625TZ



PART #	A	B	C	BOX QTY.
TSRBS1625TZ	17.56"	4.94"	.561"	25

# HANGING & SUPPORT

## SLIDER BOX BRACKET, FOR BOX MOUNTING BETWEEN STUDS

### APPLICATION

Use to position a box with standard device ring between wood or metal studs.

### FEATURES

Full box adjustment left/right for exact placement of box/cover

### MATERIAL/FINISH

Steel/Galvanized

### CERTIFICATIONS•

UL Listed (exception BMB16SL)



**BMB16SL**



PART #	STUD CENTER DISTANCE	FITS SQUARE BOXES	BOX QTY.
BMB16SL	16"	4", 4-11/16"	50
BMB616SL	16"	6"	50



## BOX SUPPORT SYSTEMS

# SINGLE BOX MOUNTING BRACKET, FOR STANDARD DEVICE RINGS

### APPLICATION

Universal box mounting brackets have a single stud face mount tab and can be used to support electrical boxes mounted on either side of a metal or wood stud. Designed for use with standard device rings (mud rings) - see below.

### FEATURES

Accepts 4", 4-11/16" and 6" square boxes and device rings  
Centering notch on face of bracket  
Either side of stud mount option

### MATERIAL/FINISH

Steel/Galvanized

### CERTIFICATIONS

UL Listed



**BB4-26**

PART #	FAR-SIDE STAND OFF	FITS SQUARE BOXES	BOX QTY.
BB4-26	2-1/2", 3-5/8"	4", 4-11/16"	25
BB6-26	2-1/2", 3-5/8"	6"	50

# HANGING & SUPPORT

## STUD MOUNTING BRACKETS

### APPLICATION

Universal box mounting brackets have a single stud face mount tab and can be used to support electrical boxes mounted to metal or wood studs. Designed for use with Southwire adjustable device rings (mud rings) - see below.

### FEATURES

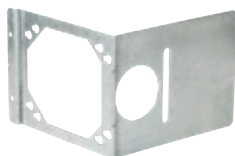
- Accepts 4" and 4-11/16" square boxes and adjustable device rings
- Centering notch on face of bracket

### MATERIAL/FINISH

Steel/Galvanized

### CERTIFICATIONS

cULus Listed\* or UL Listed\*\*



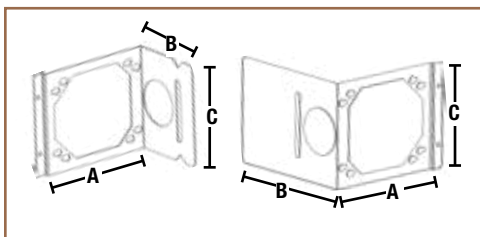
C6TZ



BB4-25



BMB1U



PART #	WALL DEPTH	A	B	C	BOX QTY.
C6TZ*	2-1/2" to 6"	3.50"	4.50"	5.625"	50
C23TZ*	2-1/2" to 3-5/8"	5.875"	4.50"	5.625"	50
BB5-6	2-1/2", 3-5/8", 5-1/2", 6"	3.50"	4.50"	5.625"	50
BB4-25	2-1/2" or 3-5/8"	6.50"	6.50"	11.40"	50
BMB1U**	2-1/2" or 3-5/8"	3.46"	5.38"	5.38"	50

\*cULus listed | \*\*Not UL listed



Southwire™

# CABLE/CONDUIT SUPPORT



# HANGING & SUPPORT

## CONDUIT TO STUD ATTACHMENT CLAMP

### APPLICATION

Conduit to stud attachment clamp easily secures conduit to studs without the need for tools.

### FEATURES

- Easily clips onto studs
- Stud clip size 1-3/8" to 1-1/2"
- Snap Close conduit support
- Screw hole feature allows clip to be screwed to stud for additional support

### MATERIAL/FINISH

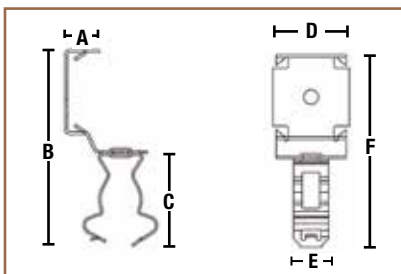
Spring Steel/GEOSEAL™

### CERTIFICATIONS

UL Standard: UL 2239



6MFTZ



PART #	EMT SIZE	FLEX CONDUIT SIZE	MC/AC CABLE SIZE	BOX QTY.
6MFTZ	---	3/8"	14-2 to 12-3	100
16MFTZ	1/2" & 3/4"	---	---	100
20MFTZ	1"	---	---	50
812MFTZ	1-1/4"	---	---	100

PART #	A	B	C	D	E	F
6MFTZ	.63"	1.53"	1.68"	1.38"	.63"	3.55"
16MFTZ	.63"	1.53"	2.52"	1.38"	.63"	4.39"
20MFTZ	.63"	1.53"	2.96"	1.38"	.63"	4.83"
812MFTZ	.63"	1.53"	2.05"	1.38"	.63"	3.92"



## CABLE/CONDUIT SUPPORT

# CABLE TO METAL STUD CLIP

### APPLICATION

A quick and convenient solution to attach MC/AC cables to metal studs.

### FEATURES

Supports 14-3 to 12-3 MC/AC cables  
Easy no-tool installation

### MATERIAL/FINISH

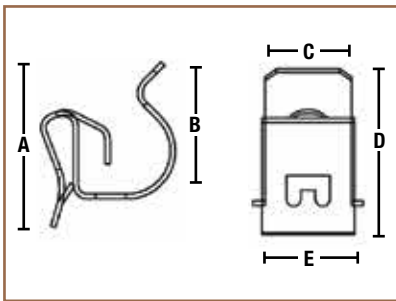
Spring Steel/GEOSEAL™

### CERTIFICATIONS

UL Standard: UL 2239



449TZ



PART #	A	B	C	D	E	BOX QTY.
449TZ	.792"	.935"	.591"	1.13"	.63"	100



# HANGING & SUPPORT

## BOX SUPPORT BRACKET

### APPLICATION

Provides electrical box support for multiple wall depths.

### FEATURES

Easily clips to electrical boxes

### MATERIAL/FINISH

Steel/Galvanized

### CERTIFICATIONS

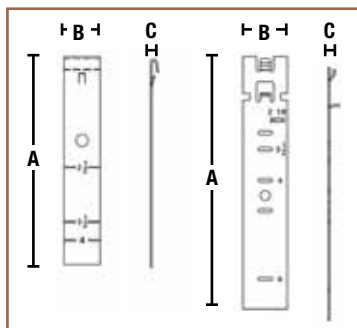
UL Standard: UL 514A



766TZ



766ATZ



PART #	WALL DEPTH	BOX CLIP FEATURE	A	B	C	BOX QTY.
766TZ	2-1/2, 3-5/8, 4	SIDE WALL	4.29"	.752"	.168"	100
766ATZ	2-1/2, 3-1/2, 4, 6	SIDE HOLES	5.14"	.092"	.150"	100



## CABLE/CONDUIT SUPPORT

# CONDUIT TO STUD CLAMP

### APPLICATION

Allows positioning of conduit to any size wood or metal studs.

### FEATURES

- Supports 1/2" and 3/4" EMT
- Clip rotates 360° for easy positioning
- Secures to stud with screws
- Snap-close clip

### MATERIAL/FINISH

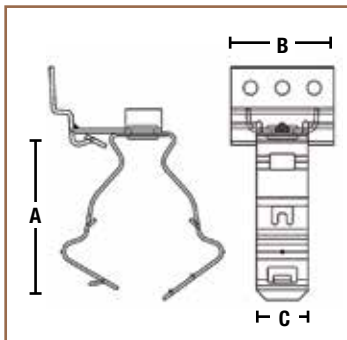
Spring Steel/GEOSEAL™

### CERTIFICATIONS

UL Standard: UL 2239



350812MTZ



PART #	A	B	C	BOX QTY.
350812MTZ	2.05"	1.26"	.630"	100

# HANGING & SUPPORT

## CABLE/CONDUIT STUD CLIP

### APPLICATION

Provides support for EMT, Rigid, or MC/AC cables through metal studs.

### FEATURES

- Supports 1/2", 3/4" EMT, 1/2" Rigid
- Reduces conduit rattling
- Snaps on to metal studs, no tools required

### MATERIAL/FINISH

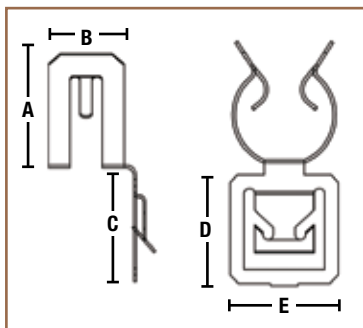
Spring Steel/GEOSEAL™

### CERTIFICATIONS

UL Standard: UL 2239



AR812TZ



PART #	A	B	C	D	E	BOX QTY.
AR812TZ	1.13"	.748"	1.14"	1"	1"	100



## CABLE/CONDUIT SUPPORT

# MC, NM TO STUD WALL

### APPLICATION

Easily installs to secure NM or MC cables to wood or metal studs. Designed with a flared edge for maximum cable protection.

### FEATURES

- Supports up to 6 runs of NM sheathed cable or 4 runs of MC and AC cables
- Collapsible leg locks and secures cables for a snug fit
- Locating ribs to maintain cable separation

### MATERIAL/FINISH

Steel/Zinc Plated

### CERTIFICATIONS

UL Standard: UL 2239

NEC® 300.4D applicable



CJ6STZ



CJIN



PART #	CABLE SURFACE	LENGTH	BOX QTY.
CJ6STZ	STEEL	6"	100
CJIN	INSULATED RUBBER	6"	100

STUD TYPE	CABLE TYPE	CABLE SIZE	CABLES PER FASTENER
Wood	Non-Metallic	14-2, 12-2, 10-2, 14-3, 12-3, AND 10-3 WITH GROUND	Max 6
		8 -2 AND 6-2 WITH GROUND	Max 4
Metal Stud	Metal Clad (MC)	14-2, 12-2, 10-2, 14-3, 12-3, 10-3, 14-4, 12-4, AND 10-4 WITH GROUND	Max 4

# HANGING & SUPPORT

## NAIL STRAP CONDUIT SUPPORT, WOOD STUD MOUNT

### APPLICATION

Secures EMT or Rigid/IMC conduit to wood stud or surface.

### FEATURES

Stamped teeth and pointed tip prevent accidental pull out

### MATERIAL/FINISH

Stamped Steel/Zinc Plated



PART #	FOR EMT CONDUIT	FOR RIGID CONDUIT	INNER QTY.	BOX QTY.
DS1TZ	1/2"	3/8"	100	1000
DS2	3/4"	1/2"	100	1000
DS3	1"	3/4"	100	1000

## CAST NAIL STRAP CONDUIT SUPPORT, WOOD STUD MOUNT

### APPLICATION

Secures EMT or Rigid/IMC conduit to wood stud or surface.

### FEATURES

30% higher tensile strength vs. malleable iron

Withstands greater striking force

### MATERIAL/FINISH

Cast Steel/Zinc Plated



1600-CS

PART #	FOR EMT CONDUIT	FOR RIGID CONDUIT	INNER QTY.	BOX QTY.
1600-CS	1/2"	3/8"	100	1000
1605-CS	3/4"	1/2"	100	1000
1615-CS	1"	3/4"	100	1000



## CABLE/CONDUIT SUPPORT

# CABLE/CONDUIT TO STUD BRACKET

### APPLICATION

Provides a solution to attach EMT conduit or MC/AC cables to studs. The multiple mounting holes allow for easy alignment of cable to junction box knockouts.

### FEATURES

Supports 14-3 to 10-2 MC/AC cables  
Can be used on wood or metal studs

### MATERIAL/FINISH

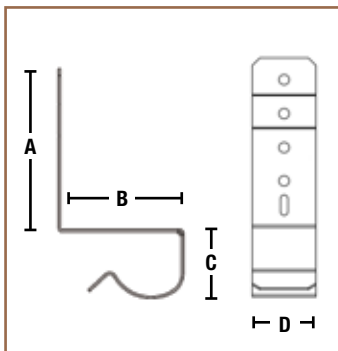
Spring Steel/GEOSEAL™

### CERTIFICATIONS

UL Standard: UL 2239



CS812TZ



PART #	A	B	C	D	BOX QTY.
CS16TZ	2.67"	2.07"	1.14"	1"	100
CS812TZ	2.67"	1.42"	.811"	1"	100
CS812DTZ	2.67"	2.04"	.811"	1"	100

# HANGING & SUPPORT

## CLIP-ON CABLE TO STUD CLIP

### APPLICATION

Clips on to studs to provide a cable management solution for MC/AC cables. Results in a clean and professional installation.

### FEATURES

Supports 14-2 to 12-3 MC/AC cables  
Includes screw mounting hole to provide additional support

### MATERIAL/FINISH

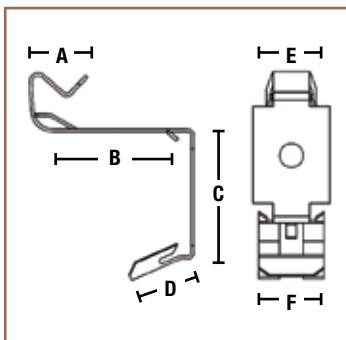
Spring Steel/GEOSEAL™

### CERTIFICATIONS

UL Standard: UL 2239



FXC20TZ



PART #	A	B	C	D	E	F	BOX QTY.
FXC20TZ	.672"	1.89"	1.50"	.745"	.882"	.752"	100



## CABLE/CONDUIT SUPPORT

# SNAP-IN CABLE BRACKET

### APPLICATION

Clips onto flanges without tools or screws to wood, block, concrete, or metal studs. Secures MC/AC cables to studs.

### FEATURES

- Supports 14-2 to 10-3 MC/AC cables
- 1/8" max flange thickness
- Can be separated to create two separate clips
- Mounting holes allow for anchoring to wood, concrete or block

### MATERIAL/FINISH

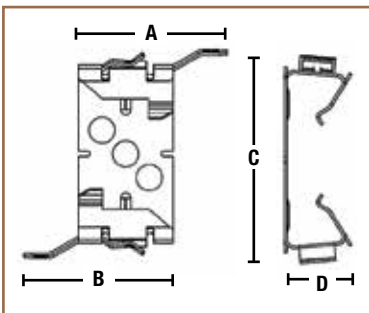
Spring Steel/GEOSEAL™

### CERTIFICATIONS

UL Standard: UL 2239



MAC2TZ



PART #	A & B	C	D	BOX QTY.
MAC2TZ	1.57"	1.967"	.647"	100



# HANGING & SUPPORT

## SCREW-ON CABLE TO STUD CLIP

### APPLICATION

Screws on to studs to provide a cable management solution for MC/AC cables.  
Results in a clean and professional installation.

### FEATURES

Supports 14-3 to 10-2 MC/AC cables  
Can be used on metal or wood studs

### MATERIAL/FINISH

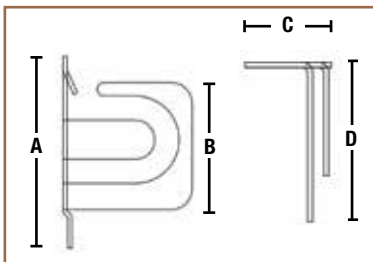
Steel/Galvanized

### CERTIFICATIONS

UL Standard: UL 2239



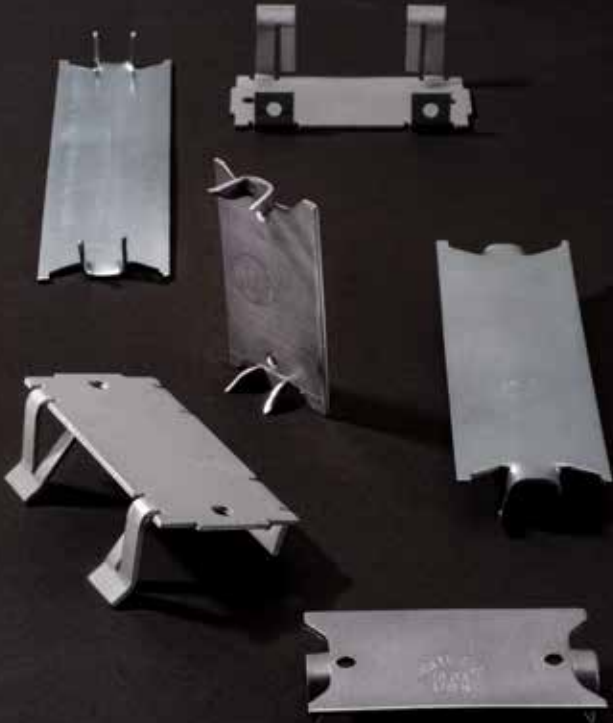
MCS100TZ



PART #	A	B	C	D	BOX QTY.
MCS100TZ	3.66"	2.42"	1.29"	2.46"	100



# NAIL PLATES



# HANGING & SUPPORT

## PRESS-ON NAIL PLATE

### APPLICATION

Press-on nail plates protect electrical and mechanical gear routed through studs.

### FEATURES

Easy no-tool installation  
For metal or wood studs  
Holes provided on clip legs to screw into stud for additional support

### MATERIAL/FINISH

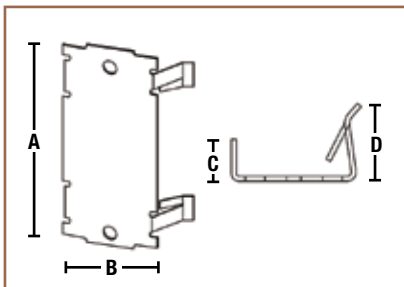
Steel/GEOSEAL™

### CERTIFICATIONS

UL Standard: UL 2239



304B2TZ



PART #	A	B	C	D	BOX QTY.
304B2TZ	3.13"	1.50"	.547"	1.02"	100



## NAIL PLATES

# NAIL PLATES

### APPLICATION

Use to protect wire and cable from nails or screws in wood stud construction. Mounts on outside of the stud face.

### FEATURES

- 16-gauge thickness
- Hammer on installation
- Spiked ends for wood studs
- Clip tabs for metal studs

### MATERIAL/FINISH

Steel



SP-3



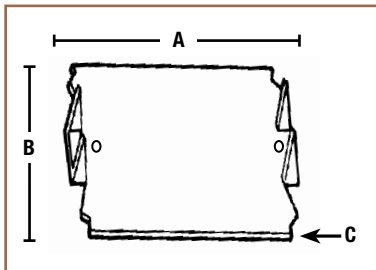
SP-6



43-50



188



PART #	STUD MATERIAL	ATTACHMENT	PLATE SIZE	A	B	C	BOX QTY.
SP-3	WOOD	SPIKE	1-1/2" x 2-1/2"	2.50"	1.50"	.0625"	200
SP-6	WOOD	SPIKE	1-1/2" x 6" x1/16"	5"	1.50"	.0625"	100
187A	WOOD	SPIKE	3-1/2" x 6" x1/16"	6"	3.50"	.0625"	50
188	WOOD	SPIKE	1-1/2" x 5" x1/16"	6"	1.50"	.0625"	100
189B	WOOD	SPIKE	1-1/2" x 2-1/2" x1/16"	2.50"	1.50"	.0625"	50
43-50	WOOD	SPIKE	1-1/2" x 2-1/2"	2.50"	1.50"	.0625"	250
43-100	WOOD	SPIKE	1-1/2" x 2-1/2"	2.50"	1.50"	.0625"	100
43-5P	WOOD	SPIKE	1-1/2" x 2-1/2" (PAIL PACK)	2.50"	1.50"	.0625"	500

# **DATACOM/ LOW VOLTAGE**

---

**Wire management systems that  
support data and low voltage  
cables to the structure**

**CABLE SUPPORT SYSTEMS**

**BRIDLE RINGS**

**CLIPS**



Southwire™

# CABLE SUPPORT SYSTEMS



# HANGING & SUPPORT

## J-HOOKS, WALL MOUNT WITH MOUNTING HOLES

### APPLICATION

Wall mount J-Hook cable supports can be attached to a wide variety of wall surfaces. Southwire J-Hooks are an inexpensive alternative to cable trays. J-Hooks provide support to sensitive voice and data cables without causing stress.

### FEATURES

J-Hooks eliminate the problem of point loads that can cause band width damage to sensitive cables such as fiber optic, CAT 5E, 6, 7 or many others. Continuous wide base radius design supports the natural bends and curves of cable.

Built in cable retainer bar

.264" diameter mounting hole



**CAT12TZ**

### MATERIAL/FINISH

Steel/Galvanized or Stainless Steel

### CERTIFICATIONS

\* cULus Listed

\*\*UL listed



PART #	HOOK DIAMETER	MATERIAL	STATIC LOAD (LBS.)	CAT 5E CABLE CAPACITY
CAT12TZ*	3/4"	GALVANIZED STEEL	60	16
CAT21TZ*	1-5/16"		60	50
CAT32TZ*	2"		60	90
CAT64TZ*	4"		60	330
JHK-84	6"		60	450
JHK-12SS**	3/4"	STAINLESS STEEL	60	20
JHK-21SS**	1-5/16"		60	40
JHK-32SS**	2"		60	80
JHK-64SS**	4"		60	300

\*cULus Listed, \*\*UL listed, JHK-84- no UL



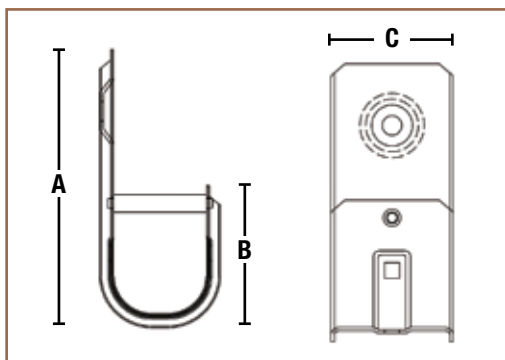
## CABLE SUPPORT SYSTEMS



**CAT21TZ**



**JHK-32SS**



PART #	A	B	C	BOX QTY.
CAT12TZ*	3.23"	1.65"	.866"	100
CAT21TZ*	3.62"	1.79"	1.64"	40
CAT32TZ*	4.37"	2.50"	1.64"	50
CAT64TZ*	4.48"	2.50"	1.91"	25
JHK-84	6.93"	3.75"	2.02"	25
JHK-12SS**	3.23"	1.65"	.866"	50
JHK-21SS**	3.62"	1.79"	1.64"	50
JHK-32SS**	4.37"	2.50"	1.64"	50
JHK-64SS**	4.48"	2.50"	1.91"	25

Load Limits apply to fastener only. Anchor must be evaluated separately



# HANGING & SUPPORT

## J-HOOKS WITH SPRING STEEL BEAM CLAMP

### APPLICATION

J-Hooks with screw-on beam clamp feature allows the J-Hook to easily attach to beam flanges. J-Hooks provide support for data cables: fiber optic, inner-duct and low voltage.

### FEATURES

- Available in multiple sizes
- Alternative cable management solution to complex cable trays
- J-Hooks are designed with round edges to provide proper bend radius
- Beam clamp screw-on attachment allows for easy repositioning of the J-Hook

### MATERIAL/FINISH

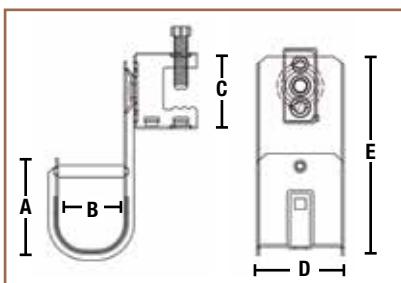
- Clamp: Spring Steel/ GEOSEAL™
- J-Hook: Steel/Galvanized

### CERTIFICATIONS

UL Standard: UL 2239



CAT21BCTZ



PART #	HOOK DIAMETER	A	B	C	D	E	BOX QTY.
CAT12BCTZ	3/4"	1.65"	.748"	1.42"	.866"	3.23"	40
CAT21BCTZ	1-5/16"	1.79"	1.24"	1.42"	1.64"	3.62"	50
CAT32BCTZ	2"	2.50"	1.99"	1.42"	1.64"	4.37"	50



## CABLE SUPPORT SYSTEMS

# J-HOOKS WITH BEAM CLAMP

### APPLICATION

J-Hook cable support with stamped steel beam clamp can be attached to a wide variety of flange edges or beams. Southwire J-Hooks are an inexpensive alternative to cable trays. J-Hooks provide support to sensitive voice and data cables without causing stress.

### FEATURES

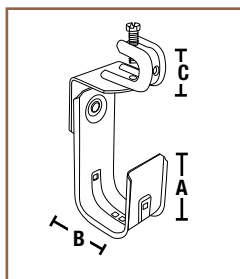
- J-Hooks eliminate the problem of point loads that can cause band width damage to sensitive cables such as fiber optic, CAT 5E, 6, 7 or many others
- Continuous wide base radius design supports the natural bends and curves of cable
- Built in cable retainer bar

### MATERIAL/FINISH

Steel/Zinc Plated



JHK-21-BC



PART #	HOOK DIAMETER	A	B	C	BOX QTY.
JHK-21-BC	1-5/16"	3.62"	1.63"	1.64"	50
JHK-32-BC	2"	4.37"	1.63"	1.64"	50
JHK-64-BC	4"	4.48"	1.63"	1.91"	25

# HANGING & SUPPORT

## J-HOOKS, BEAM/EDGE MOUNT, HAMMER-ON CLIP

### APPLICATION

J-Hook cable supports with hammer-on beam edge clip can be attached to a wide variety of flange edges or beams. Southwire J-Hooks are an inexpensive alternative to cable trays. J-Hooks provide support to sensitive voice and data cables without causing stress.

### FEATURES

J-Hooks eliminate the problem of point loads that can cause band width damage to sensitive cables such as fiber optic, CAT 5E, 6, 7 or many others

Continuous wide base radius design supports the natural bends and curves of cable

Built in cable retainer bar

360° rotation of J-Hook

### MATERIAL/FINISH

Clamp: Spring Steel/ GEOSEAL™

J-Hook: Steel/Galvanized

### CERTIFICATIONS

UL Standard: UL 2239



CAT3224TZ



PART #	BEAM FLANGE THICKNESS	HOOK DIAMETER	CAT5E CABLE CAPACITY
JHK-12-H0**	1/8" to 1/4"	3/4"	20
JHK-12-H0516**	5/16" to 1/2"	3/4"	20
JHK-12-H0916**	9/16" to 3/4"	3/4"	20
JHK-21-H0**	1/8" to 1/4"	1-5/16"	40
JHK-21-H0516**	5/16" to 1/2"	1-5/16"	40
JHK-21-H0916**	9/16" to 3/4"	1-5/16"	40
CAT3224TZ*	1/8" to 1/4"	2"	80
JHK-32-H0516**	5/16" to 1/2"	2"	80
JHK-32-H0916**	9/16" to 3/4"	2"	80
JHK-64-H0**	1/8" to 1/4"	4"	300
JHK-64-H0516**	5/16" to 1/2"	4"	300
JHK-64-H0916**	9/16" to 3/4"	4"	300

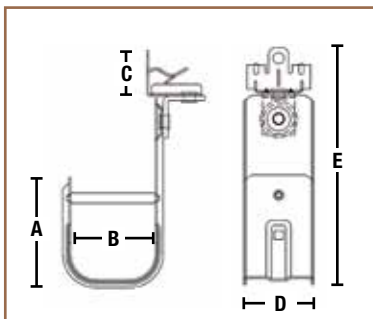
\*cULus Listed, \*\*UL listed



## CABLE SUPPORT SYSTEMS



**JHK-12-H0**



PART #	A	B	C	D	E	BOX QTY.
JHK-12-H0**	.748"	1.65"	1.06"	.866"	4.29"	50
JHK-12-H0516**	.748"	1.65"	1.34"	.866"	4.57"	50
JHK-12-H0916**	.748"	1.65"	1.63"	.866"	4.86"	50
JHK-21-H0**	1.24"	1.79"	1.06"	1.64"	4.68"	50
JHK-21-H0516**	1.24"	1.79"	1.34"	1.64"	4.96"	50
JHK-21-H0916**	1.24"	1.79"	1.63"	1.64"	5.25"	50
CAT3224TZ*	1.99"	2.5"	1.06"	1.64"	5.43"	50
JHK-32-H0516**	1.99"	2.5"	1.34"	1.64"	5.71"	50
JHK-32-H0916**	1.99"	2.5"	1.63"	1.64"	6"	50
JHK-64-H0**	4.0"	4.69"	1.06"	1.91"	7.99"	25
JHK-64-H0516**	4.0"	4.69"	1.34"	1.91"	8.27"	25
JHK-64-H0916**	4.0"	4.69"	1.63"	1.91"	8.56"	25

# HANGING & SUPPORT

## J-HOOKS WITH CLIP

### APPLICATION

J-Hook with clip feature allows the J-Hook to easily attach to beams, threaded rods, or wires. J-Hooks provide support for data cables: fiber optic, inner-duct, and low voltage.

### FEATURES

Easy no-tool installation

Available in multiple sizes

J-Hooks are designed with round edges to provide proper bend radius

Rod/wire clip feature allows for easy repositioning of J-Hook

### MATERIAL/FINISH

Clip: Spring Steel/ GEOSEAL™

J-Hook: Steel/Galvanized

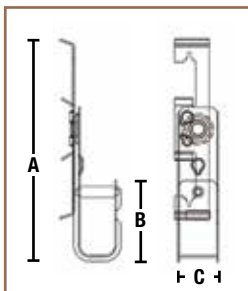
### CERTIFICATIONS

UL Standard: UL 2239



JHK-12-BW2

CAT124Z34TZ



PART #	HOOK DIAMETER	ROD SIZE	A	B	C	BOX QTY.
CAT124Z34TZ*	3/4"	1/4"	3.23"	1.65"	.866"	40
CAT126Z34TZ*	3/4"	3/8"	4.171"	1.65"	.866"	50
JHK-21-BW2**	1-5/16"	1/4"	4.561"	1.79"	1.64"	50
JHK-21-BW6**	1-5/16"	3/8"	4.561"	1.79"	1.64"	50
CAT324Z34TZ*	2"	1/4"	5.311"	2.50"	1.64"	50
CAT326Z34TZ*	2"	3/8"	5.311"	2.50"	1.64"	50
JHK-64-BW2**	4"	1/4"	5.421"	2.50"	1.91"	25

\*cULus Listed | \*\*UL listed



## CABLE SUPPORT SYSTEMS

# J HOOKS, MAGNETIC MOUNT

### APPLICATION

Magnetic wall mount J-Hook cable supports can be attached to a wide variety of metal wall surfaces. Southwire J-Hooks are an inexpensive alternative to cable trays. J-Hooks provide support to sensitive voice and data cables without causing stress.

### FEATURES

J-Hooks eliminate the problem of point loads that can cause band width damage to sensitive cables such as fiber optic, CAT 5E, 6, 7 or many others

Continuous wide base radius design supports the natural bends and curves of cable

Built in cable retainer bar

### MATERIALS/FINISH

Steel/Zinc Plated

### CERTIFICATIONS

UL Listed



**JHK-12MAG**



PART #	MATERIAL	HOOK SIZE	CAT5E CABLE CAPACITY	PULL-OUT STRENGTH	BOX QTY.
JHK-12MAG	ZINC PLATED STEEL	3/4"	20	90 LBS.	50
JHK-21MAG		1-5/16"	40	90 LBS.	50
JHK-32MAG		2"	80	90 LBS.	50
JHK-64MAG		4"	300	90 LBS.	25
JHK-84MAG		6"	450	90 LBS.	25

# HANGING & SUPPORT

## J-HOOKS OVERHEAD MOUNT

### APPLICATION

Overhead mount J-Hook cable supports can be attached to a wide variety of overhead surfaces or combined with other Southwire spring steel hardware. Southwire J-Hooks are an inexpensive alternative to cable trays. J-Hooks provide support to sensitive voice and data cables without causing stress.

### FEATURES

J-Hooks eliminate the problem of point loads that can cause band width damage to sensitive cables such as fiber optic, CAT 5E, 6, 7 or many others

Continuous wide base radius design supports the natural bends and curves of cable

Built in cable retainer bar

.26" diameter mounting hole

### MATERIALS/FINISH

Steel/Zinc Plated or 316 Stainless Steel

### CERTIFICATIONS

UL Listed (for Zinc Plated Steel)



JHK-12-AB

JHK-21-ABSS



PART #	MATERIAL	HOOK SIZE	CAT5E CABLE CAPACITY	BOX QTY.
JHK-12-AB	ZINC PLATED STEEL	3/4"	20	50
JHK-21-AB		1-5/16"	40	50
JHK-32-AB		2"	80	50
JHK-64-AB		4"	300	25
JHK-12-ABSS	316 STAINLESS STEEL	3/4"	20	50
JHK-21-ABSS		1-5/16"	40	50
JHK-32-ABSS		2"	80	50
JHK-64-ABSS		4"	300	25



## CABLE SUPPORT SYSTEMS

# MAGNETIC OVERHEAD MOUNT J-HOOKS

### APPLICATION

Magnetic overhead mount J-Hook cable supports can be attached to a wide variety of metal overhead surfaces. Southwire J-Hooks are an inexpensive alternative to cable trays. J-Hooks provide support to sensitive voice and data cables without causing stress.

### FEATURES

J-Hooks eliminate the problem of point loads that can cause band width damage to sensitive cables such as fiber optic, CAT 5E, 6, 7 or many others. Continuous wide base radius design supports the natural bends and curves of cable. Built in cable retainer bar.

### MATERIALS/FINISH

Steel/Zinc Plated



**JHK-12ABMAG**



PART #	MATERIAL	HOOK SIZE	CAT5E CABLE CAPACITY	PULL-OUT STRENGTH	BOX QTY.
JHK-12ABMAG	ZINC PLATED STEEL	3/4"	20	90 Lbs.	50
JHK-21ABMAG		1-5/16"	40	90 Lbs.	50
JHK-32ABMAG		2"	80	90 Lbs.	50
JHK-64ABMAG		4"	300	90 Lbs.	25



# HANGING & SUPPORT

## FLOOR SUPPORT J-HOOK

### APPLICATION

J-Hooks provide support for data cables: fiber optic, inner duct and low voltage. Pipe anchor clamp feature allows the J-Hook to easily attach to floor supports.

### FEATURES

J-Hooks are designed with round edges to provide proper bend radius  
1-5/16" diameter J-Hook

### MATERIAL/FINISH

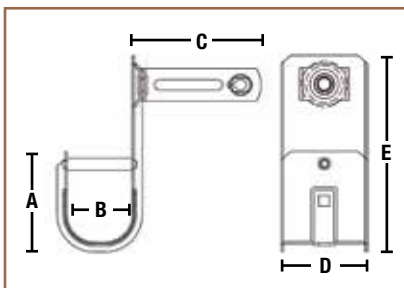
Steel/Galvanized

### CERTIFICATIONS

UL Standard: UL 2239



CAT21CD1BTZ



PART #	A	B	C	D	E	BOX QTY.
CAT21CD1BTZ	1.79"	1.24"	2.26"	1.64"	3.62"	50



## CABLE SUPPORT SYSTEMS

# MULTI-RUN OVERHEAD MOUNT J-HOOKS

### APPLICATION

Overhead mount multi-run J-Hook cable supports can be attached to a wide variety of overhead surfaces. Southwire J-Hooks are an inexpensive alternative to cable trays. J-Hooks provide support to sensitive voice and data cables without causing stress.

### FEATURES

J-Hooks eliminate the problem of point loads that can cause band width damage to sensitive cables such as fiber optic, CAT5E, 6, 7 or many others

Continuous wide base radius design supports the natural bends and curves of cable

Built in cable retainer bar

.26" diameter mounting hole



**JHT-216**



**JHT-212**



**JHT-214**

PART #	NUMBER OF HOOKS	HOOK DIAMETER	CAT5E CABLE CAPACITY	BOX QTY.
JHT-212	2	1-5/16"	40 EACH HOOK	25
JHT-214	4	1-5/16"	40 EACH HOOK	25
JHT-216	6	1-5/16"	40 EACH HOOK	25
JHT-322	2	2"	80 EACH HOOK	25
JHT-324	4	2"	80 EACH HOOK	25
JHT-326	6	2"	80 EACH HOOK	25
JHT-642	2	4"	300 EACH HOOK	10
JHT-644	4	4"	300 EACH HOOK	10
JHT-646	6	4"	300 EACH HOOK	10

**HANGING & SUPPORT**

# **BRIDLE RINGS**





## BRIDLE RINGS

# WOOD THREADED BRIDLE RINGS

### APPLICATION

Threaded bridle rings are used to support communication cables and other low voltage wires. Southwire bridle rings allow a quick and inexpensive way to support non data sensitive wires and cables from structural members.

### FEATURES

Available in multiple ring diameters  
Wood screw threads allow rings to be screwed into wood surfaces

### MATERIAL/FINISH

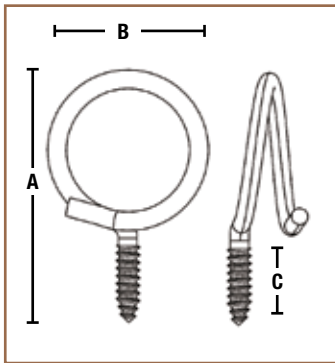
Steel/Galvanized

### CERTIFICATIONS

UL Standard: UL 2239



4BRT32WSTZ



PART #	DIAMETER	THREAD	CAT5E CABLE CAPACITY	A	B	C	BOX QTY.
BR-100-WS*	1"	#14	20	2.72"	1.65"	.512"	100
4BRT20WSTZ**	1-1/4"	#14	30	2.60"	1.65"	.512"	100
BR-150-WS*	1-1/2"	#14	42	3.22"	1.91"	.512"	100
4BRT32WSTZ**	2"	#14	73	3.70"	2.42"	.571"	100

\*UL listed | \*\*cULus listed

# HANGING & SUPPORT

## MACHINE THREADED BRIDLE RINGS

### APPLICATION

Threaded bridle rings are used to support communication cables and other low voltage wires. Southwire bridle rings allow a quick and inexpensive way to support non data sensitive wires and cables from structural members.

### FEATURES

Available in multiple ring diameters  
Machine screw threads allow rings to be screwed into other fasteners and clamps

### MATERIAL/FINISH

Steel/Galvanized or 316 Stainless Steel

### CERTIFICATIONS

UL Standard: UL 2239



4BRT20TZ



PART #	MATERIAL	DIAMETER	THREAD SIZE	CAT5E CABLE CAPACITY
BR-501024*	ZINC PLATED STEEL	1/2"	#10 - 24	5
2BRT12TZ**		3/4"	#10 - 24	10
BR-1001024*		1"	#10 - 24	20
2BRT20TZ**		1-1/4"	#10 - 24	30
BR-1501024*		1-1/2"	#10 - 24	42
2BRT32TZ**		2"	#10 - 24	73
4BRT20TZ**		1-1/4"	1/4" - 20	30
BR-150*		1-1/2"	1/4" - 20	42
4BRT32TZ**		2"	1/4" - 20	73
4BRT64TZ**		4"	1/4" - 20	250
BR-125-SS		316 STAINLESS STEEL	1-1/4"	1/4" - 20
BR-150-SS	1-1/2"		1/4" - 20	42
BR-200-SS	2"		1/4" - 20	73
BR-400-SS	4"		1/4" - 20	250

\*UL listed | \*\*cULus listed



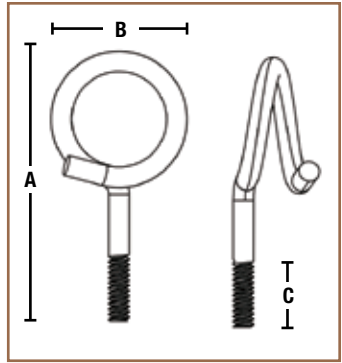
## BRIDLE RINGS



**BR-501024**



**BR-125-SS**



PART #	A	B	C	BOX QTY.
BR-501024*	2.11"	1.06	.512"	100
2BRT12TZ**	1.97"	1.10"	.512"	100
BR-1001024*	2.72"	1.65"	.512"	100
2BRT20TZ**	2.62"	1.57"	.512"	100
BR-1501024*	3.22"	1.91"	.512"	100
2BRT32TZ**	3.31"	2.46"	.571"	100
4BRT20TZ**	2.74"	1.65"	.512"	100
BR-150*	3.22"	1.91"	.512"	100
4BRT32TZ**	2.56"	3.57"	.571"	100
4BRT64TZ**	6.51"	4.45"	.689"	50
BR-125-SS	2.60"	1.65"	.512"	100
BR-150-SS	3.22"	1.91"	.512"	100
BR-200 -SS	2.56"	3.57"	.571"	100
BR-400 -SS	6.51"	4.45"	.689"	50

# HANGING & SUPPORT

## METAL THREADED RINGS WITH NON-METALLIC SADDLE

### APPLICATION

Threaded bridle rings are used to support communications cables and other low voltage wires. Southwire bridle rings allow a quick and inexpensive way to support non data sensitive wires and cables from structural members.

### FEATURES

Nonmetallic saddle support provides additional support under cable

### MATERIAL/FINISH

Steel/Zinc Plated

### CERTIFICATIONS

UL Listed



BR-150-WH

PART #	MATERIAL	LOOP SIZE	LEG THREAD	CAT5E CABLE CAPACITY	BOX QTY.
BR-150-WH	ZINC PLATED STEEL	1-1/2"	1/4" - 20	42	100
BR-200-WH		2"	1/4" - 20	73	100
BR-400-WH		4"	1/4" - 20	250	25



**BRIDLE RINGS**

# WOOD THREADED RINGS WITH NON-METALLIC SADDLE

**APPLICATION**

Threaded bridle rings are used to support communications cables and other low voltage wires. Southwire bridle rings allow a quick and inexpensive way to support non data sensitive wires /and cables from structural members.

**FEATURES**

Nonmetallic saddle support provides additional support under cable

**MATERIAL/FINISH**

Steel/Zinc Plated



**BR-150-WHWS**



PART #	MATERIAL	LOOP SIZE	CAT5E CABLE CAPACITY	BOX QTY.
BR-150-WHWS	ZINC PLATED	1-1/2"	42	100
BR-200-WHWS	STEEL	2"	73	100



# HANGING & SUPPORT

## SNAP-ON DATA SADDLE ONLY FOR BRIDLE RINGS, NONMETALLIC

### APPLICATION

Nonmetallic saddle support work with Southwire 1-1/2" and 2" bridle rings and provides additional support under cable.

### FEATURES

Snap-on design for quick installation

### MATERIAL/FINISH

Plenum Rated

### CERTIFICATIONS

UL Listed



**BRS150**



PART #	MATERIAL	FITS RING SIZE	BOX QTY.
BRS150	PLENUM RATED SADDLE	1-1/2"	50
BRS200		2"	50



# CLIPS



# HANGING & SUPPORT

## MULTI-PURPOSE SUPPORT CLIP

### APPLICATION

Attaches to flanges to provide an anchor for bridle rings and other hardware.

### FEATURES

Hammer-on attachment

Fits flanges from 1/8" to 1/2"

Accommodates 1/4"-20 or #10-24 threaded bridle rings

### MATERIAL/FINISH

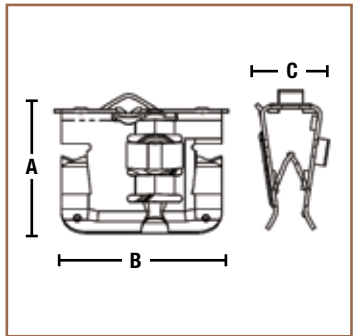
Spring Steel/GEOSEAL™

### CERTIFICATIONS

UL Standard: UL 2239



2FMP28TZ



PART #	A	B	C	BOX QTY.
2FMP28TZ	1.44	1.62	.618	100



## CLIPS

# TRAY CLIP

### APPLICATION

Tray Clips attach cable management trays to struts. Use two clips per strut for a 12" basket and for each additional 6" add another clip.

### FEATURES

Easy no-tool installation  
Supports 3/16" to 5/16" wire

### MATERIAL/FINISH

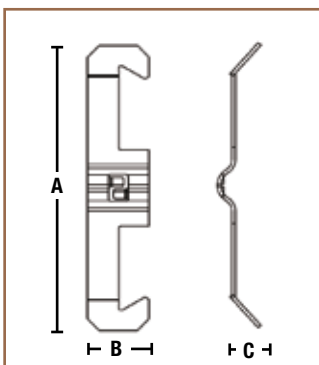
Spring Steel/GEOSEAL™

### CERTIFICATIONS

UL Standard: UL 2239



**KBTTZ**



PART #	A	B	C	BOX QTY.
KBTTZ	2.90"	.626"	.295"	100

No load rating, for positioning only.

# **ACOUSTICAL/ CEILING**

---

**Fittings that help position electrical  
networks to the T-Grid structure**

**ELECTRICAL SUPPORT SYSTEM**

**FIXTURE SUPPORTS**



Southwire™

# ELECTRICAL SUPPORT SYSTEMS



# HANGING & SUPPORT

## THREADED T-GRID CLIP BOTTOM MOUNT

### APPLICATION

Threaded T-Grid Clips attach to acoustical T-Bar to provide a method of securing boxes, conduit, or bridle rings.

### FEATURES

Easy no-tool installation  
1/4" threaded hole

### MATERIAL/FINISH

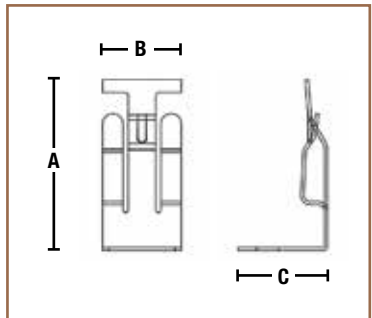
Spring Steel/GEOSEAL™

### CERTIFICATIONS

UL Standard: UL 2239



ATA4ITZ



PART #	A	B	C	BOX QTY.
ATA4ITZ	2.14"	.984"	1.12"	100

No load rating, for positioning only. Additional support required per NEC 300.11.



## ELECTRICAL SUPPORT SYSTEM

# THREADED T-GRID CLIP SIDE MOUNT

### APPLICATION

Threaded T-Grid Clip attaches to acoustical T-Bar for mounting of boxes, conduit, or bridle rings.

### FEATURES

- Easy no-tool installation
- 1/4" threaded hole
- Side mount method of hardware attachment

### MATERIAL/FINISH

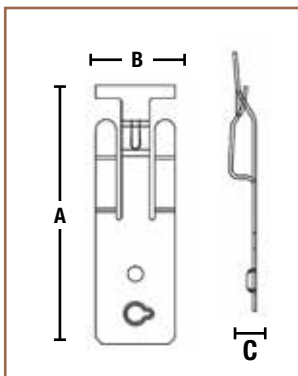
Spring Steel/GEOSEAL™

### CERTIFICATIONS

UL Standard: UL 2239



ATS4ITZ



PART #	A	B	C	BOX QTY.
ATS4ITZ	3.20	.984	.374	100

No load rating, for positioning only. Additional support required per NEC 300.11.



# HANGING & SUPPORT

## CONDUIT TO T-GRID SNAP CLAMPS

### APPLICATION

Conduit to T-Grid Clamps provide a fast and easy solution to position conduit or MC/AC cables above T-Grids. Side mount option allows conduit attachment in both the horizontal and vertical directions.

### FEATURES

- Easy no-tool installation
- 360° rotating clip
- Top and side mounting available
- Attaches conduit or MC/AC cable to T-Grid

### MATERIAL/FINISH

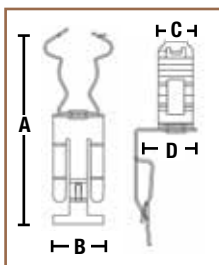
Spring Steel/GEOSEAL™

### CERTIFICATIONS

UL Standard: UL 2239



812MATATZ



PART #	MOUNTING OPTION	CLIP CLOSURE	EMT SIZE	MC/AC SIZE	FMC SIZE
6MATATZ	TOP	SNAP CLOSE	---	14-2 - 12-3	3/8"
812MATATZ	TOP	SNAP CLOSE	1/2" & 3/4"	---	---

PART #	A	B	C	D	BOX QTY.
6MATATZ	3.75"	.984"	.63"	1.12"	100
812MATATZ	4.19"	.984"	.63"	1.12"	100

No load rating, this item is for component positioning only. Additional support required per NEC 300.11



## ELECTRICAL SUPPORT SYSTEM

# CONDUIT TO T-GRID PUSH-IN CLIPS

### APPLICATION

Push-in conduit hangers with T-Grid clip snap on the top edge of acoustical ceiling T-bar grid and provide a means of support for EMT conduit above the ceiling tiles.

### FEATURES

- Easy no-tool installation
- 360° rotating clip
- Top and side mounting available
- Attaches conduit or MC/AC cable to T-Grid

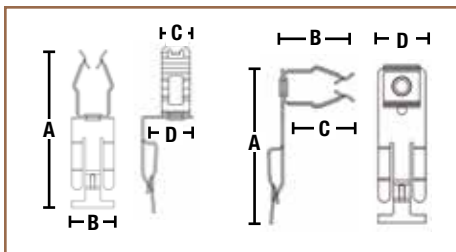
### MATERIAL/FINISH

Spring Steel/GEOSEAL™



8PATSTZ

CHPT-50



PART #	MOUNTING OPTION	EMT SIZE	A	B	C	D	BOX QTY.
8PATSTZ*	SIDE	1/2"	3.20"	1.74"	1.46"	.984"	100
CHPT-50**	TOP	1/2"	3.71	.984"	.748	1.12"	50
CHPT-75**	TOP	3/4"	3.81	.984"	.748	1.12"	50
CHPT-100**	TOP	1"	4.09	.984"	.748	1.12"	50

No load rating, this item is for component positioning only. Additional support required per NEC 300.11

# HANGING & SUPPORT

## HEAVY DUTY T-GRID BOX HANGER

### APPLICATION

Allows one or multiple electrical boxes to be quickly installed to T-Grid system.  
Not for use with paddle fans.

### FEATURES

- No tools required
- Mounts box flush with face of tile
- Mounts 1-1/2" deep box (break off tabs) or 2-1/8" deep box
- Includes mounting clip
- Easily attach drop wire for independent support directly to clip or bar
- Screws into T-Bar for added stability



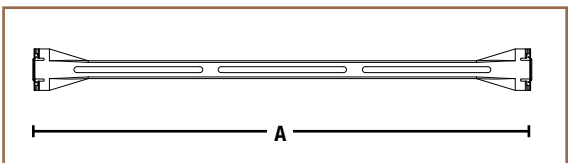
512HDTZ

### MATERIAL/FINISH

- Bar: Steel/Galvanized
- Clip: Spring Steel/GEOSEAL™

### CERTIFICATIONS

UL Standard: UL514A



PART #	STATIC LOAD (LBS.)	A	BOX QTY.
512HDTZ	50	24"	25



## ELECTRICAL SUPPORT SYSTEM

# SNAP-ON T-GRID BOX HANGER

### APPLICATION

T-Grid brackets are used to mount boxes on ceiling T-bar grid. Fixed length box bar hangers are available for 1-1/2" or 2-1/8" deep boxes.

### FEATURES

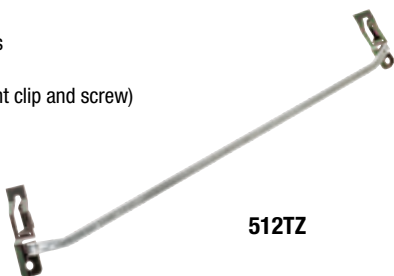
- Snap-on design
- Mounts 1-1/2" or 2-1/8" boxes to T-grids
- Box mounting clip and screw included (see Southwire part BHTC for replacement clip and screw)
- Boxes not included
- Galvanized steel

### MATERIAL/FINISH

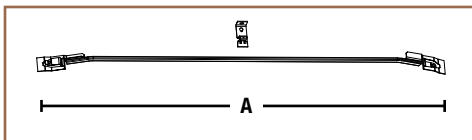
- Bar: Steel/Galvanized
- Clip: Spring Steel/GEOSEAL™

### CERTIFICATIONS

cULus or UL Listed



512TZ



PART #	(A) LENGTH	HEIGHT ADJUSTMENT	STATIC LOAD (LBS.)	BOX QTY.
512TZ*	24"	None	13	25
BHT1A**		1/8" to 8" ABOVE GRID	20	50
BHT481A**	48"	1/8" to 8" ABOVE GRID	13	25
BHT1HD**	24"	None	50 (RESTRICTED BY GRID)	25

\*cULus Listed | \*\*UL listed

Do not exceed static load without independent wire support to box mounting strap

# HANGING & SUPPORT

## BHT SERIES BAR HANGERS CLIP AND SCREW SET

### APPLICATION

Use to affix box to Southwire BHT series box support bars.

### FEATURES

Includes clip and screw

### MATERIAL/FINISH

Steel/Galvanized



**BHTC**

PART #	DESCRIPTION	BOX QTY.
BHTC	CLIP AND SCREW, USE WITH BHT1 & BHT1A	50

## BH SERIES BAR HANGERS REPLACEMENT CLIP AND SCREW SET

### APPLICATION

Use to affix box to Southwire bar hangers BH Series.

### FEATURES

Includes clip and screw

### MATERIAL/FINISH

Steel/Galvanized



**BHC**

PART #	DESCRIPTION	BOX QTY.
BHC	CLIP AND SCREW	50



## ELECTRICAL SUPPORT SYSTEM

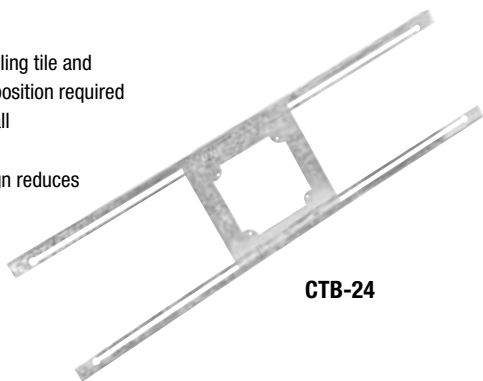
# T-GRID CEILING 4" SQUARE BOX SLIDER SUPPORT BRACKET, 24" LENGTH

### APPLICATION

Ceiling tile slider brackets are used to mount a variety of electrical and electronic components on ceiling grid tiles.

### FEATURES

- Brackets rest on back side of ceiling tile and allow box to be installed at any position required
- Mounting plate accommodates all 4" boxes and covers
- "LK" suffix locking bracket design reduces movement due to vibration
- Some assemblies include boxes (see below)



**CTB-24**

### MATERIAL/FINISH

Steel/Galvanized

PART #	DESCRIPTION	LOCKING TABS	BOX INCLUDED	BOX QTY.
CTB-24	ADJUST 4" BOX ANYWHERE ALONG 24" BRACKET	NO		20
CTB-244S	ADJUST 4" BOX ANYWHERE ALONG 24" BRACKET WITH 4" SQUARE BOX	NO	52181-S	20
CTB-24LK	ADJUST 4" BOX ANYWHERE ALONG LOCKING 24" BRACKET	YES		20
52181-VTBAR	4" SQ, 3-1/2" DEEP BOX, HORZ. & VERT BRACKET ADJUSTMENT	SCREWS	52181-VT	10

# HANGING & SUPPORT

## T-GRID CEILING, 3" X 2" SWITCH BOX SUPPORT BRACKET

### APPLICATION

Bracket is used to secure 3" x 2" switch box to T-Grid ceiling. Perfect for mounting small life safety appliances, security camera or standard outlet.

### FEATURES

Mounts anywhere along grid opening  
Switch box ears mount directly to bracket

### MATERIAL/FINISH

Steel/Galvanized



DCB

PART #	DESCRIPTION	BOX QTY.
DCB	SECURES 3" x 2" WITH EARS TO SECURE TO DROP CEILING GRID	25



Southwire™

# FIXTURE SUPPORTS





# HANGING & SUPPORT

## TWIST CLIP

### APPLICATION

Twist clips are easily installed with no tools and provide a solution to support wire, hooks, or chains from T-Grids.

### FEATURES

Easy no-tool installation  
Plain hole

### MATERIAL/FINISH

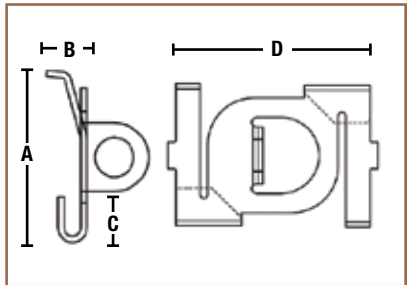
Spring Steel/GEOSEAL™

### CERTIFICATIONS

UL Standard: UL 2239



4G16HTZ



PART #	T-GRID SIZE	SCREW LENGTH	HOLE SIZE	STATIC LOAD (LBS.)
4G16HTZ	15/16"	9/16"	1/4" – Plain	40

PART #	A	B	C	D	BOX QTY.
4G16HTZ	1.094"	.65"	.433"	1.60"	100



## FIXTURE SUPPORTS

# TWIST CLIP WITH WING NUT

### APPLICATION

Twist clips with wing nut are designed to support electrical fixtures from T-Grids and are easily installed with no tools.

### FEATURES

Easy no-tool installation  
Wing Nut included

### MATERIAL/FINISH

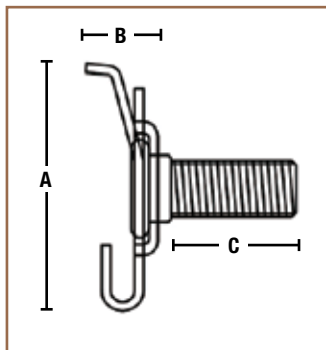
Spring Steel/GEOSEAL™

### CERTIFICATIONS

UL Standard: UL 2239



**4G16TZ**



PART #	T-GRID SIZE	SCREW LENGTH	THREAD SIZE	STATIC LOAD (LBS.)	A	B	C	BOX QTY.
4G16TZ	15/16"	9/16"	1/4" - 20	50	1.09"	.256"	.728"	100

# HANGING & SUPPORT

## LIGHT FIXTURE CLIP

### APPLICATION

The Light Fixture Clip provides a method for securing troffers, lay-in fixtures along with air diffusers.

### FEATURES

Easy no-tool installation

### MATERIAL/FINISH

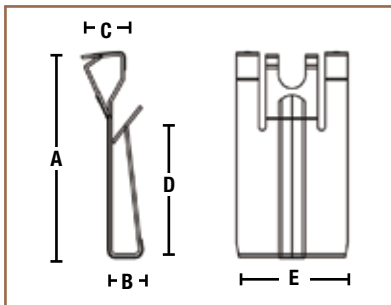
Spring Steel/GEOSEAL™

### CERTIFICATIONS

UL Standard: UL 2239



515ATZ



PART #	A	B	C	D	E	BOX QTY.
515ATZ	1.81"	.291"	.371"	1.34"	.984"	100



## FIXTURE SUPPORTS

# FIXTURE TO T-GRID CLIP

### APPLICATION

Clips easily to T-Grid with no tools to support fixtures.

### FEATURES

Easy no-tool installation  
Includes mounting hardware

### MATERIAL/FINISH

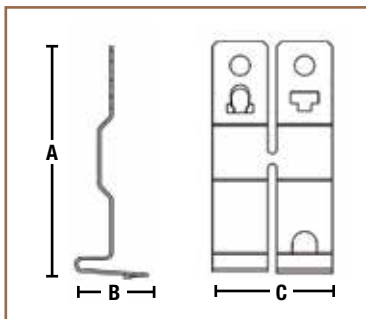
Spring Steel/GEOSEAL™

### CERTIFICATIONS

UL Standard: UL 2239



**IDSTZ**



PART #	T-GRID SIZE	STATIC LOAD (LBS.)	A	B	C	BOX QTY.
IDSTZ	15/16"	65	3.10"	.979"	.748"	100

# HANGING & SUPPORT

## JACK CHAINS

### APPLICATION

Support chain for hanging linear and high bay fixtures.

### FEATURES

12 Gauge Steel

### MATERIAL/FINISH

Steel/Zinc Plated



770TZ

PART #	STATIC WORKING LOAD (LBS.)	PACK SIZE	INNER QTY.	BOX QTY.
W-10	43	100 FT. BOX	100	50
770TZ	29	100 FT. ROLL	100	40
W-13	29	50 FT. BOX	50	50

## S-HOOKS

### APPLICATION

Use to attach accessories to Jack Chain.

### MATERIAL/FINISH

Steel/Zinc Plated



W-11

PART #	SIZE	STATIC LOAD (LBS.)	INNER QTY.	BOX QTY.
300	1"	16	100	100
300A	1-1/4"	29	100	100
300B	1-1/2"	43	100	100
W-11	3"	50	100	100



INDEX

Symbols

1-WBA.....	26	6M4ITZ.....	20, 21
1-WBAS .....	28	6M24SMTZ.....	10, 11
2-1/2-WBA.....	26	6M24TZ.....	8, 9
2-1/2-WBAS.....	28	6M58TZ.....	8, 9
2BRT12TZ** .....	181, 182	6M912SMTZ.....	10, 11
2BRT20TZ** .....	181, 182	6M912TZ.....	8, 9
2BRT32TZ** .....	181, 182	6MATATZ .....	193
2FMP28TZ.....	187	6MB18ATZ.....	46
2H4TZ .....	63	6MFTZ.....	151
2-WBA.....	26	6MTZ.....	20, 21
2-WBAS .....	28	6TIBTZ.....	98
3-WBA.....	26	6TITZ.....	103
4BRT20TZ** .....	181, 182	6TTZ.....	103
4BRT20WSTZ** .....	180	6-WBAS .....	28
4BRT32TZ** .....	181, 182	6Z34TZ.....	104
4BRT32WSTZ** .....	180	6Z348PTZ.....	38, 39
4BRT64TZ** .....	181, 182	6Z3412PTZ.....	38, 39
4G16HTZ .....	201	6Z3416MTZ.....	40, 41
4G16TZ .....	202	6Z3416PTZ.....	38, 39
4H24TZ .....	63	6Z34812MTZ.....	40, 41
4H58TZ .....	63	7-WBAS .....	28
4H912TZ .....	63	8P8PTZ.....	18
4Ti24TZ.....	64	8P24SMTZ .....	14, 15
4Ti58TZ.....	64	8P24TZ.....	12, 13
4Ti912TZ.....	64	8P58SMTZ .....	14, 15
4TIBTZ.....	98	8P58TZ.....	12, 13
4TITZ.....	103	8P912SMTZ .....	14, 15
4-WBA.....	26	8P912TZ.....	12, 13
4-WBAS .....	28	8PATSTZ* .....	194
4Z4STZ.....	104	8PTZ.....	17
4Z34TZ.....	104	8-WBAS .....	28
4Z346MTZ.....	40, 41	9-WBAS .....	28
4Z348PTZ.....	38, 39	12P24SMTZ .....	14, 15
4Z3412PTZ.....	38, 39	12P24TZ.....	12, 13
4Z3416MTZ.....	40, 41	12P58SMTZ .....	14, 15
4Z3416PTZ.....	38, 39	12P58TZ.....	12, 13
4Z34812MTZ.....	40, 41	12P912SMTZ .....	14, 15
5-WBA.....	26	12P912TZ.....	12, 13
5-WBAS .....	28	12PTZ.....	17
6A24TZ.....	66	12WFS .....	136
6A912TZ.....	66	12WFSS .....	136
		13WFS .....	136
		13WFSS .....	136
		14WFS .....	136
		14WFSS .....	136

# HANGING & SUPPORT

16M4ITZ.....	20, 21	123A** .....	85
16M24SMTZ.....	10, 11	124.....	59
16M24TZ.....	8, 9	124** .....	85
16M58SMTZ.....	10, 11	125.....	59
16M912SMTZ.....	10, 11	126.....	59
16M912TZ.....	8, 9	127.....	59
16MB18ATZ.....	46	128.....	59
16MFTZ.....	151	129.....	59
16MTZ.....	20, 21	187A .....	164
16P24SMTZ .....	14, 15	188.....	164
16P24TZ.....	12, 13	189B .....	164
16P58SMTZ .....	14, 15	232A .....	56
16P58TZ.....	12, 13	282A .....	56
16P912SMTZ .....	14, 15	284A .....	56
16P912TZ.....	12, 13	300.....	205
16PTZ.....	17	300A .....	205
20M4ITZ.....	20, 21	300B .....	205
20M24SMTZ.....	10, 11	304B2TZ .....	163
20M24TZ.....	8, 9	350-P .....	93
20M58SMTZ.....	10, 11	361.....	56
20M912SMTZ.....	10, 11	449TZ.....	152
20MFTZ.....	151	481.....	55
20MTZ.....	20, 21	482.....	55
23WBJ .....	123	483.....	55
24M4ITZ.....	20, 21	484.....	55
24M24SMTZ.....	10, 11	485.....	55
24M58SMTZ.....	10, 11	486.....	55
24MTZ.....	20, 21	487.....	55
24WBJ .....	123	488.....	55
26.....	84	489.....	55
27.....	84	489A .....	55
29.....	84	489B .....	55
32M4ITZ.....	20, 21	489C .....	55
32M24SMTZ.....	10, 11	506.....	60
32M24TZ.....	8, 9	507.....	60
32M58SMTZ.....	10, 11	508.....	60
32M912SMTZ.....	10, 11	509.....	60
32MTZ.....	20, 21	510RX .....	56
43-5P .....	164	511.....	52
43-50 .....	164	512HDTZ.....	195
43-100 .....	164	512TZ* .....	196
122** .....	85	515ATZ.....	203
122TZ.....	68	517TZ.....	50, 52
123.....	59	518TZ.....	50, 52
123** .....	85	519.....	50, 52



## INDEX

520.....	50	812M24TZ.....	8, 9
521TZ.....	57	812M58SMTZ.....	10, 11
522.....	57	812M58TZ.....	8, 9
523.....	52, 57	812M912SMTZ.....	10, 11
524.....	57	812M912TZ.....	8, 9
525.....	57	812MATATZ.....	193
526.....	57	812MB18ATZ.....	46
527.....	57, 59	812MB18STZ.....	46
528TZ.....	57, 59	812MB18TZ.....	47
529TZ.....	57, 59	812MFTZ.....	151
530TZ.....	57, 59	812MTZ.....	20, 21
531.....	50	1224TITZ.....	67
531B.....	50	1226TITZ.....	67
532.....	50	1551HDG.....	96
533.....	50	1552HDG.....	96
534.....	50	1553HDG.....	96
535.....	50	1554HDG.....	96
536.....	50	1555HDG.....	96
561.....	54	1556HDG.....	96
562.....	54	1557HDG.....	96
563.....	54	1558HDG.....	96
564.....	54	1559AHDG.....	96
565.....	54	1559HDG.....	96
566.....	54	1561HDG.....	93
567.....	54	1562HDG.....	93
568TZ.....	54	1563HDG.....	93
569.....	54	1564HDG.....	93
570.....	54	1565HDG.....	93
570A.....	54	1566HDG.....	93
570B.....	54	1567HDG.....	93
761HDG.....	119, 120	1568HDG.....	93
762HDG.....	119, 120	1569HDG.....	93
763HDG.....	119, 120	1571HDG.....	94
764HDG.....	119, 120	1572HDG.....	94
765HDG.....	119, 120	1573HDG.....	94
766ATZ.....	153	1574HDG.....	94
766HDG.....	119, 120	1575HDG.....	94
766TZ.....	153	1576HDG.....	94
767HDG.....	119, 120	1577HDG.....	94
768HDG.....	119, 120	1578HDG.....	94
769HDG.....	119, 120	1600-CS.....	157
770HDG.....	119, 120	1605-CS.....	157
770TZ.....	205	1615-CS.....	157
812M4ITZ.....	20, 21	2101.....	32
812M24SMTZ.....	10, 11	2102.....	32



# HANGING & SUPPORT

2103.....	32
2104.....	32
2105.....	32
2106.....	32
2107.....	32
2108.....	32
2109.....	32
2110.....	32
2111.....	129
2112.....	129
2113.....	129
16812MTZ.....	22
52181-VTBAR.....	198
123812MTZ.....	70
350812MTZ.....	154
3000037EGTZ .....	88
3000037PLTZ** .....	89
3000050EGTZ .....	88
3000062EGTZ .....	88
3000075EGTZ .....	88
3100037EGTZ .....	88
3100050EGTZ .....	88

## A

AB375TZ .....	111
ABTZ .....	111
AF14TZ.....	79
AF144TITZ.....	67
AF146TITZ.....	67
AF146TTZ.....	67
AR812TZ .....	155
ATA4ITZ .....	191
ATS4ITZ.....	192

## B

BA-1/4-SS.....	111
BA-3/8-SS.....	111
BAKC38* .....	23
BB4-25.....	149
BB4-26.....	148

BB5-6.....	149
BB6-26.....	148
BC8PTZ .....	71
BC12PTZ .....	71
BC16MSMTZ .....	74
BC16MTZ .....	73
BC18KC112.....	8, 9
BC20MSMTZ .....	74
BC20MTZ .....	73
BC24MSMTZ .....	74
BC24MTZ .....	73
BC32MSMTZ .....	74
BC32MTZ .....	73
BC200TZ** .....	82
BC400TZ** .....	82
BC516KC1 .....	8, 9
BC516KC2 .....	8, 9
BC516KC112.....	8, 9
BC516KC114.....	8, 9
BC812MSMTZ .....	74
BC812MTZ .....	73
BC-1024* .....	82
BC-1420-SS* .....	82
BC-1420-XWM.....	80
BC-3816-SS* .....	82
BCTZ .....	81
BHA1 .....	48
BHAD16** .....	145
BHAD24** .....	145
BHC.....	197
BHT1A** .....	196
BHT1HD** .....	196
BHT481A** .....	196
BHTC.....	197
BMB1U**.....	149
BMB3U.....	144
BMB16SL .....	147
BMB616SL .....	147
BR-100-WS* .....	180
BR-125-SS.....	181, 182
BR-150* .....	181, 182
BR-150-SS.....	181, 182
BR-150-WH.....	183
BR-150-WHWS .....	184
BR-150-WS* .....	180



## INDEX

BR-200 -SS.....	182
BR-200-SS.....	181
BR-200-WH.....	183
BR-200-WHWS .....	184
BR-400 -SS.....	182
BR-400-SS.....	181
BR-400-WH.....	183
BR-501024* .....	181, 182
BR-1001024* .....	181, 182
BR-1501024* .....	181, 182
BRS150.....	185
BRS200.....	185

## C

C6TZ* .....	149
C23TZ* .....	149
CAT12BCTZ .....	169
CAT12TZ* .....	167, 168
CAT21BCTZ .....	169
CAT21CD1BTZ.....	177
CAT21TZ* .....	167, 168
CAT32BCTZ .....	169
CAT32TZ* .....	167, 168
CAT64TZ* .....	167, 168
CAT124Z34TZ* .....	173
CAT126Z34TZ* .....	173
CAT324Z34TZ* .....	173
CAT326Z34TZ* .....	173
CAT3224TZ* .....	171, 172
CD0BTZ.....	24
CD1BTZ.....	24
CD2.5BTZ.....	24
CD2BTZ.....	24
CD4BTZ.....	24
CD5BTZ.....	24
CD6BTZ.....	24
CD7BTZ.....	24
CD8BTZ.....	24
CD9BTZ.....	24
CHB-75 .....	18
CHB-100 .....	18
CHB-5075 .....	18

CHB-50100 .....	18
CHB-75100 .....	18
CHBC-50 .....	83
CHBC-75 .....	83
CHBC-100 .....	83
CHBC-100-TM.....	71
CHBC-125 .....	83
CHBC-150 .....	83
CHBC-175 .....	83
CHBC-200 .....	83
CHP-50-SM .....	72
CHP-75-SM .....	72
CHP-100-SM.....	72
CHPA-50.....	19
CHPA-75.....	19
CHPA-100.....	19
CHPT-50**.....	194
CHPT-75**.....	194
CHPT-100** .....	194
CHQ-50 .....	27
CHQ-75 .....	27
CHSS-50 .....	28
CHSS-75 .....	28
CHSS-100 .....	28
CHSS-125 .....	28
CHSS-150 .....	28
CHSS-175 .....	28
CHSS-200 .....	28
CHSS-250 .....	28
CHSS-300 .....	28
CHSS-350 .....	28
CHSS-400 .....	28
CJ6STZ.....	156
CJIN .....	156
CNN-025 .....	132
CNN-038 .....	132
CS16TZ .....	158
CS812DTZ.....	158
CS812TZ .....	158
CTB-24.....	198
CTB-24LK.....	198
CTB-244S.....	198

# HANGING & SUPPORT

## D

DCB.....	199
DH6TITZ .....	65
DS1TZ .....	157
DS2 .....	157
DS3 .....	157
DSI2ATZ .....	142

## E

EPS0075EGTZ .....	52
EPS0100EGTZ .....	52
EPS0125EGTZ .....	52
EPS0150EGTZ .....	52
EPS0200EGTZ .....	52
ESG1MTZ .....	106
ESG1TZ .....	106

## F

F130000EGTZ.....	134
F140000EGTZ.....	134
F150000EGTZ.....	134
FB812MTZ** .....	23
FMBS18TZ .....	140
FXC20TZ.....	159

## I

IDSTZ .....	204
-------------	-----

## J

JCL50.....	95
JCL75.....	95
JCL100.....	95

JCL125.....	95
JCL150.....	95
JCL250.....	95
JCL350300.....	95
JFC-1213 .....	90
JFC-1420 .....	90
JFC-3816 .....	90
JFC-5811 .....	90
JFCS-3816.....	35
JFCS-3816SS.....	35
JHK-12-AB.....	175
JHK-12ABMAG.....	176
JHK-12-ABSS.....	175
JHK-12-H0** .....	171, 172
JHK-12-H0516** .....	171, 172
JHK-12-H0916** .....	171, 172
JHK-12MAG .....	174
JHK-12SS** .....	167, 168
JHK-21-AB.....	175
JHK-21ABMAG.....	176
JHK-21-ABSS.....	175
JHK-21-BC.....	170
JHK-21-BW2** .....	173
JHK-21-BW6** .....	173
JHK-21-H0** .....	171, 172
JHK-21-H0516** .....	171, 172
JHK-21-H0916** .....	171, 172
JHK-21MAG .....	174
JHK-21SS** .....	167, 168
JHK-32-AB.....	175
JHK-32ABMAG.....	176
JHK-32-ABSS.....	175
JHK-32-BC.....	170
JHK-32-H0516** .....	171, 172
JHK-32-H0916** .....	171, 172
JHK-32MAG .....	174
JHK-32SS** .....	167, 168
JHK-64-AB.....	175
JHK-64ABMAG.....	176
JHK-64-ABSS.....	175
JHK-64-BC.....	170
JHK-64-BW2** .....	173
JHK-64-H0** .....	171, 172
JHK-64-H0516** .....	171, 172
JHK-64-H0916** .....	171, 172



## INDEX

JHK-64MAG .....	174
JHK-64SS** .....	167, 168
JHK-84 .....	167, 168
JHK-84MAG .....	174
JHT-212 .....	178
JHT-214 .....	178
JHT-216 .....	178
JHT-322 .....	178
JHT-324 .....	178
JHT-326 .....	178
JHT-642 .....	178
JHT-644 .....	178
JHT-646 .....	178

## K

K8TZ.....	42, 43
K12TZ.....	42, 43
K16TZ.....	42, 43
K20TZ.....	42, 43
KBTTZ .....	188
KCB-100100.....	22
KCB-100125.....	22
KXTZ .....	42

## L

L220000EGTZ.....	113
------------------	-----

## M

M24STZ.....	75
M24TZ.....	76
M58STZ.....	75
M58TZ.....	76
M912STZ.....	75
M912TZ.....	76
MAC2TZ .....	160
MBC-1024.....	87
MBC-1213WM.....	86

MBC-1213XL.....	87
MBC-1420WM.....	86
MBC-3816EV* .....	85
MBC-3816WM.....	86
MCC-1213.....	92
MCC-1213BK .....	92
MCC-3410.....	92
MCC-3410BK .....	92
MCC-3816.....	92
MCC-3816BK .....	92
MCC-5811.....	92
MCS100TZ .....	161
MFC-3410* .....	89
MFC-5811* .....	89
MSFTZ.....	141
MSR58TZ .....	77
MSR122TZ .....	69
MSS24TZ .....	77
MSS58TZ .....	77
MSS122TZ .....	69
MSS912TZ .....	77
MWT1.....	107

## O

OHSR-38M .....	54
OHSS-38 .....	53
OHSS-50 .....	53
OHSS-75 .....	53
OHSS-100 .....	53
OHSS-125 .....	53
OHSS-150 .....	53
OHSS-200 .....	53
OHSS-250 .....	53
OHSS-300 .....	53
OHSS-350 .....	53
OHSS-400 .....	53
OHSSR-50.....	51
OHSSR-75.....	51
OHSSR-100.....	51
OHSSR-125.....	51
OHSSR-150.....	51
OHSSR-200.....	51

# HANGING & SUPPORT

OHSSR-250.....	51
OHSSR-300.....	51
OHSSR-350.....	51
OHSSR-400.....	51
OPCC-50.....	33
OPCC-75.....	33
OPCC-100.....	33

## P

PCS1TZ.....	37
PCS2TZ.....	37

## R

RBS16TZ.....	143
RBS24TZ.....	143
RMX58TZ.....	6

## S

SC2DTZ.....	7
SC2FTZ.....	7
SC4DTZ.....	7
SC4ETZ.....	7
SCC-1213.....	91
SCC-1213B.....	91
SCC-1213S.....	91
SCC-3410.....	91
SCC-3410B.....	91
SCC-3410S.....	91
SCC-3816.....	91
SCC-3816B.....	91
SCC-3816S.....	91
SCC-5811.....	91
SCC-5811B.....	91
SCC-5811S.....	91
SCE-50.....	31
SCE-75.....	31
SCE-100.....	31

SCE-125.....	31
SCE-150.....	31
SCE-200.....	31
SCH6BTZ.....	34
SCH8BTZ.....	34
SCH8TZ.....	34
SCH12BTZ.....	34
SCH12TZ.....	34
SCH16BTZ.....	34
SCH16TZ.....	34
SCH20BTZ.....	34
SCH20TZ.....	34
SCH24BTZ.....	34
SCH32BTZ.....	34
SCH40BTZ.....	34
SCH48BTZ.....	34
SCH56BTZ.....	34
SCH64BTZ.....	34
SCH72BTZ.....	34
SFBC40.....	121
SFBC60.....	121
SFBC61.....	121
SFBC70.....	122
SFBR40-6.....	118
SFBR40-9.....	118
SFBR40-12.....	118
SFEC08.....	107
SFEC09.....	107
SFEF33-158.....	116
SFEF33-1316.....	116
SFF20.....	137
SFF21.....	137
SFF22.....	137
SFF23.....	137
SFF24.....	137
SFF30.....	108
SFF31.....	108
SFF32.....	108
SFF34.....	108
SFF50.....	108
SFF50-GN.....	108
SFF51.....	109
SFF51-GN.....	109
SFF60.....	109
SFF60-GN.....	109



## INDEX

SFL11.....	110	SMY382W .....	125
SFL11-GN.....	110	SN37TZ .....	126
SFL11-SS.....	110	SN50TZ .....	126
SFL13.....	114	SNCN1213 .....	132
SFL13-GN.....	114	SNCN1420 .....	132
SFL13-SS.....	114	SNCN3816 .....	132
SFL20.....	112	SNLS1213 .....	129
SFL21.....	112	SNLS1420 .....	129
SFL30.....	114	SNLS3816 .....	129
SFL31-SS.....	113	SNSQ1213.....	133
SFL60.....	115	SNSQ1420.....	133
SFL60-GN.....	115	SNSQ3816.....	133
SFL62.....	115	SNSS1213.....	129
SFP10 .....	117	SNSS1420.....	129
SFP13 .....	117	SNSS3816.....	129
SFP14 .....	117	SNW01213.....	132
SFP14-GN .....	117	SP-3.....	164
SFSW12-1213.....	123	SP-6.....	164
SFSW12-3816.....	123	SPRA0025EGTZ.....	130
SFSW13-1213.....	124	SPRA0037EGTZ.....	130
SFSW13-3816.....	124	SPRA0050EGTZ.....	130
SFU32 .....	116	SPRC0025EGTZ.....	130
SFU32-GN .....	116	STF14.....	99
SFU33 .....	116	STF14NP .....	102
SFU33-GN .....	116	STF0030.....	100
SFU70-25.....	133	STF0036.....	100
SFU70-38.....	133	STF1424.....	101
SFU70-50.....	133	STF1430.....	101
SGB16ATZ* .....	145	STF1436.....	101
SK85ITZ .....	30	STF1448.....	101
SK125ITZ .....	30	STR50-SS .....	32
SK165ITZ .....	30	STR75-SS .....	32
SK205ITZ .....	30	STR100-SS .....	32
SK245ITZ .....	30	STR125-SS .....	32
SK325ITZ .....	30	STR150-SS .....	32
SK405ITZ .....	30	STR200-SS .....	32
SK485ITZ .....	30	STR250-SS .....	32
SK565ITZ .....	30	STR300-SS .....	32
SK645ITZ .....	30	STR350-SS .....	32
SLN-3816.....	127	STR400-SS .....	32
SMY141C .....	125	STR500 .....	32
SMY141S .....	125	STR500-SS .....	32
SMY142W .....	125	STR600 .....	32
SMY381C .....	125	STR600-SS .....	32
SMY381S .....	125	SW0-WBA .....	26

# HANGING & SUPPORT

SW0-WBAS .....	28
SW-1/2.....	131, 135
SW-1/2-G.....	131, 135
SW-1/2-SS.....	131, 135
SW-1/4.....	131, 135
SW-1/4-G.....	131, 135
SW-1/4-SS.....	131, 135
SW-2-1/2 .....	136
SW-2-3/4 .....	136
SW-2-3/8 .....	136
SW-2-5/8 .....	136
SW-3/8.....	131, 135
SW-3/8-G.....	131, 135
SW-3/8-SS.....	131, 135
SW-5/8.....	131, 135
SW-5/8-G.....	131, 135
SW-5/8-SS.....	131, 135

## T

THS-25.....	57
THS-38.....	57
THSS-38.....	58
THSS-50.....	58
THSS-75.....	58
THSS-100.....	58
THSS-125.....	58
THSS-150.....	58
THSS-200.....	58
THSS-250.....	58
THSS-300.....	58
THSS-350.....	58
THSS-400.....	58
THSSR-50 .....	59
THSSR-75 .....	59
THSSR-100 .....	59
THSSR-125 .....	59
THSSR-150 .....	59
THSSR-200 .....	59
THSSR-250 .....	59
THSSR-300 .....	59
THSSR-350 .....	59
THSSR-400 .....	59

TRH-1420.....	99
TRH-3816.....	99
TSGB16TZ*.....	145
TSGB1624TZ*.....	145
TSNT0025EGTZ.....	128
TSNT0037EGTZ.....	128
TSRBS1625TZ.....	146

## V

VF14TZ.....	78
-------------	----

## W

W-10 .....	205
W-11 .....	205
W-13 .....	205
WMX3TZ.....	44
WMX6TZ.....	44



**Southwire™**

**HANGING  
& SUPPORT**  
CATALOG

**GET SOCIAL WITH US:**



/SOUTHWIRETOOLS  
/SOUTHWIRETOOLSLATINO



@SOUTHWIRETOOLS



@SOUTHWIRETOOLS



SOUTHWIRETOOLS

**SOUTHWIRE.COM | 1-855-SWTTOOLS**