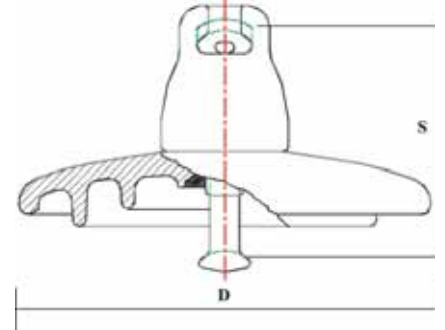




TOUGHENED GLASS INSULATOR



IUSA CATALOG	MECHANICAL CHARACTERISTIC			ELECTRICAL CHARACTERISTIC					R.I.V.			STANDARD PACKAGE	DIAMETER	STANDARD PACKAGE
	COMBINED E&M STRENGTH	IMPACT STRENGTH	ROUTINE TEST LOAD (3 S)	DRY FLASHOVER VOLTAGE (60 HZ)		"CRITICAL IMPULSE FLASHOVER VOLTAGE (1,2/50 us)"		LEAKAGE DISTANCE	TEST VOLTAGE TO GROUND (60 Hz)	MAXIMUM R.I.V. AT 100 kHz.	NET WEIGHT			
						POSITIVE	NEGATIVE							
	Ib (KN)	in-Ib(kN)	Ib (kN)	kVRMS	kVRMS	kVPEAK	kVPEAK	in (mm)	kVRMS	UV	Lb (kg)		mm	mm
N-12	25 000 (111)	"60 (7,0)"	"12 500 (55,5)"	80	50	125	130	"11,49 (292)"	10	50	8.8 (4)	6	10 (254)	146
N-12 C/M	25 000 (111)	"60 (7,0)"	"12 500 (55,5)"	80	50	125	130	"11,49 (292)"	10	50	8.8 (4)	6	10 (254)	146
N-120P	25 000 (111)	90 (10)	"12 500 (55,5)"	100	60	140	140	"17,51 (445)"	10	50	12.1 (5.5)	6	10 (254)	146
CT-4	10 000 (44)	45 (5,0)	"5 000 (22,0)"	60	30	100	100	7 (178)	7.5	50	4.4 (2)	6	11 (280)	140
N-160P	36 000 (160)	90 (10)	"18 000 (80,0)"	100	65	170	160	"21,25 (540)"	10	50	18.9 (8.6)	3	6.8 (175)	171
N-111 SN	25 000 (111)	90 (10)	"12 500 (55,5)"	110	60	160	170	"24,09 (612)"	10	50	19.3 (8.8)	3	12.8 (325)	146
N-160 C/M	36 000 (160)	90 (10)	"18 000 (80,0)"	80	50	125	130	"14,56 (370)"	10	50	14.3 (6.5)	3	12.6 (321)	146
N-160	36 000 (160)	90 (10)	"18 000 (80,0)"	80	50	125	130	"14,56 (370)"	10	50	14.3 (6.5)	3	112 (285)	146

- The electrical behavior in overhead lines operation depends primarily on the external insulation.
- An insulator should have enough electro-mechanical strength to support not only the conductor weight, but also the stresses by wind, lightning and flashover under any humidity condition.
- The glass insulators for overhead lines are manufactured in the Pasteje plant and they fulfill the ANSI standard C29 insulators for electric power lines.
- The designs can be applied on transmission and distribution lines.
- The glass insulators are manufactured and tested according to the standards ANSI-C29-1-2, IEC- 60383-1, NRF- 018-CFE-2004